



Howmet Fastening Systems
 Carson Operations
 900 E. Watson Center Road
 Carson, California 90745 U.S.A.

Phone (310) 830-8200
 HFS_Carson_Engineering@howmet.com

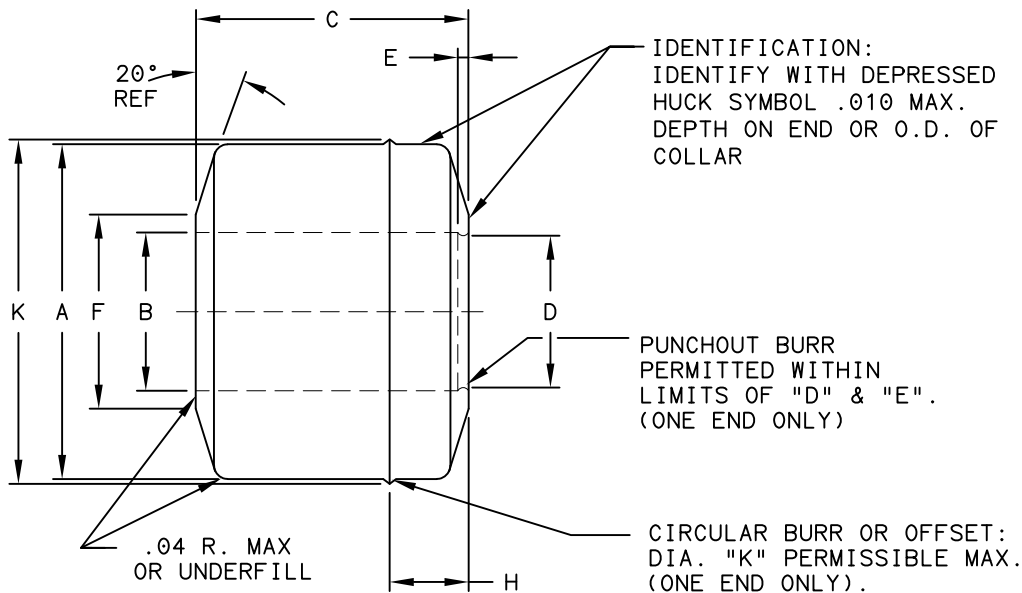
Howmet Fastening Systems
 Us Operations
 Clos D' Asseville BP 30004
 95450 Us Par Vigny France

Phone +33-1-30.27.95.00
 Fax +33-1-34.66.06.00

LGP[®]
 Collar

ENGINEERING
 STANDARD

THIS DRAWING, THE STRUCTURAL DESIGN DISCLOSED THEREIN AND THE TECHNICAL DATA AND ENGINEERING SERVICE REPRESENTED THEREBY ARE THE EXCLUSIVE PROPERTY OF HUCK INTERNATIONAL INCORPORATED.



PART NUMBER	NOM SIZE	A	B ±.002	C ±.010	D MIN	E MAX	F MAX	H REF	K MAX
3SLC-F06	.1900	.2675 .2660	.190	.225	.185	.016	.212	.065	.271
3SLC-F07	.2187	.3140 .3100	.217	.283	.212	.016	.237	.070	.318
3SLC-F08	.2500	.3520 .3480	.249	.283	.245	.016	.280	.070	.356

MATERIAL: 6061-T7 ALUMINUM ALLOY PER CHEMISTRY OF AMS-QQ-A-225/8.
 R30T HARDNESS TO BE 47 TO 57 (86 TO 111 VICKERS 15 KgF).

FINISH: CHEMICAL FILM (GOLD CHROMATE) PER MIL-C-5541 CLASS 1A.
 PLUS GREEN DYE AND CETYL ALCOHOL LUBE PER MIL-L-87132A.

CONCENTRICITY: "A" & "B" SHALL BE CONCENTRIC WITHIN .010 TIR.

⚠ NOTE: REFER TO HUCK STANDARD PAGE COL117 FOR ADDITIONAL DATA
 RELATING TO DIMENSIONAL AND FABRICATION CHARACTERISTICS.

PART NO. EXAMPLE: 3SLC-F06
 NOMINAL COLLAR I.D. IN 32nd INCHES.
 MATERIAL: 6061 ALUMINUM ALLOY.
 DOUBLE END SHEAR TYPE COLLAR.

DIMENSIONS IN INCHES

PROCUREMENT SPECIFICATION: C2027

©1993-2021 HUCK INTERNATIONAL, INC., ALL RIGHTS RESERVED.

LGP IS A TRADEMARK OF HUCK INTERNATIONAL, INC. AND ITS SUBSIDIARIES.

DRAWN BY	DH	FSCM (Cage Code) 17446 - Carson FSCM (Cage Code) F6167 - France
CHECKED BY	HJ/MM	

G7	REVISED COMPANY LOGO & UPDATED TRADEMARK INFORMATION. (REF. ECR2779)		
ISSUED	01/18/93	COLLAR, SEALING DOUBLE END LIGHTWEIGHT LGP SHEAR TYPE-SWAGE LOCKING, 6061 ALUMINUM ALLOY.	3SLC-F ()
REVISED	08/12/21		
PAGE	1 OF 1		SK12597

G7