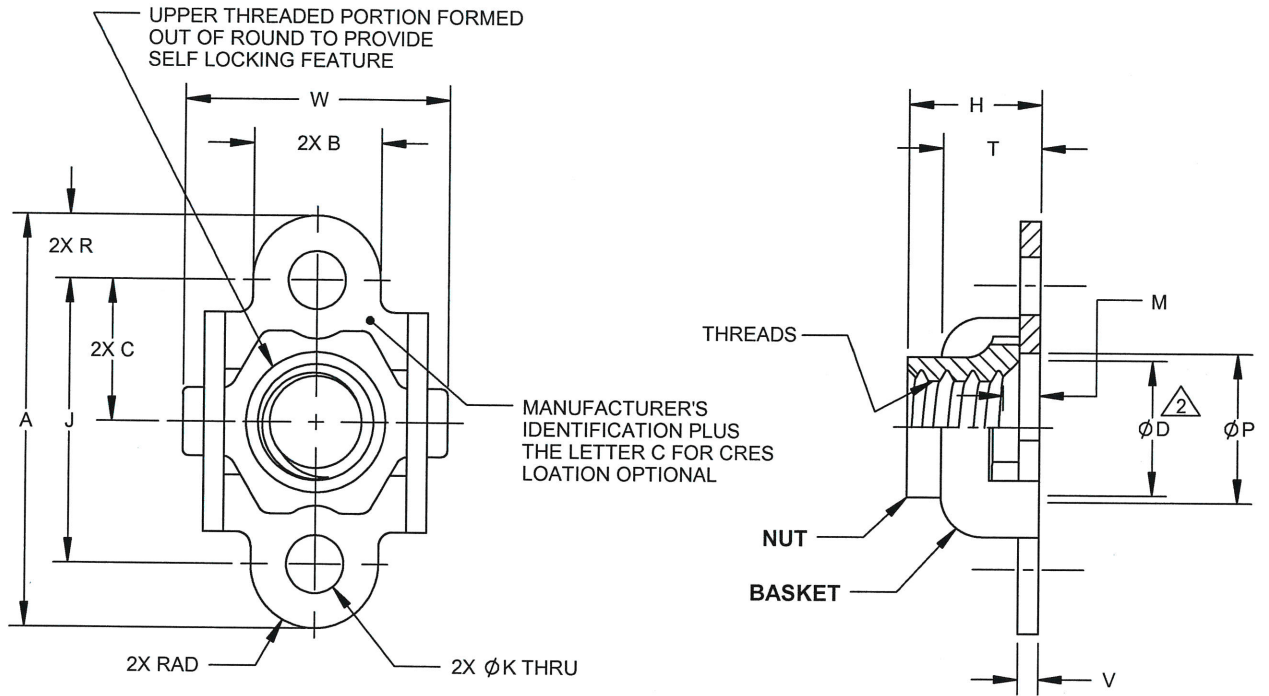
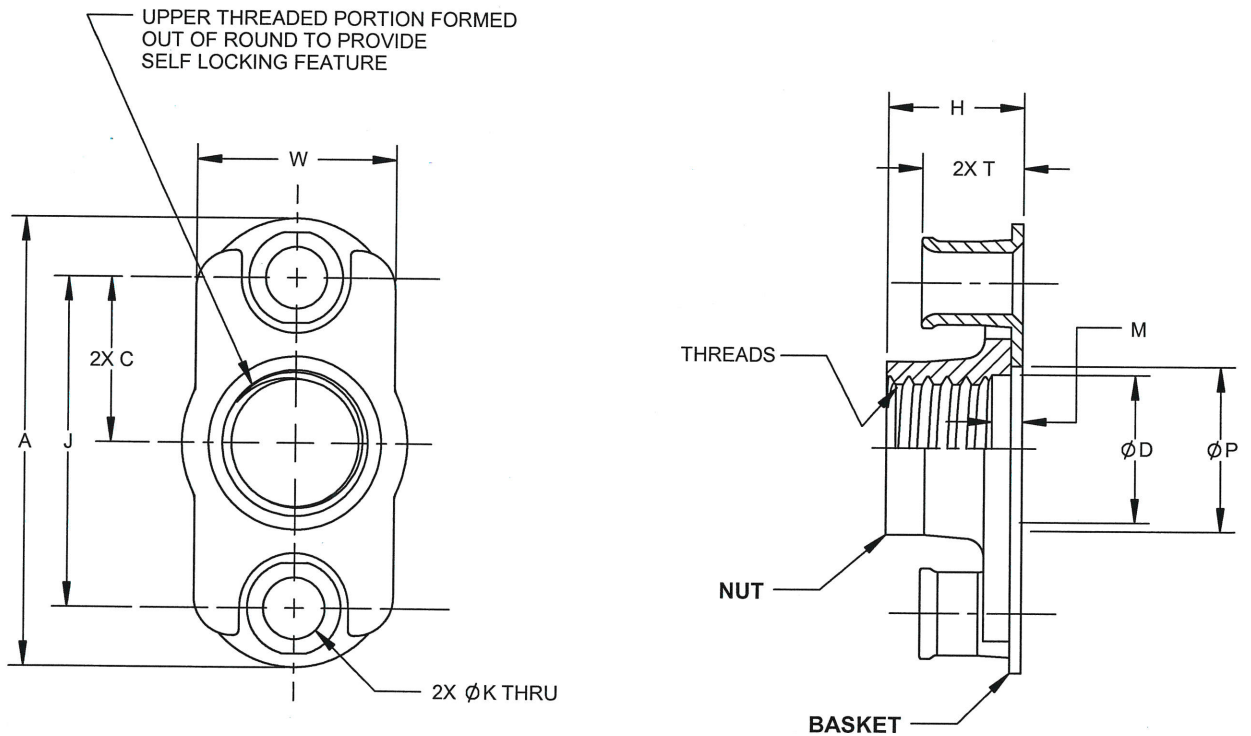


MANUFACTURE OF THE PROPRIETARY PARTS SHOWN HERE WITHOUT WRITTEN CONSENT OF ARCONIC FASTENING SYSTEMS IS ABSOLUTELY PROHIBITED.



**CONFIGURATION  
FOR MF1301-06 AND SMALLER**

THIS DRAWING EMBODIES ARCONIC FASTENING SYSTEMS CONFIDENTIAL, PROPRIETARY DESIGN & ALL DESIGN, MANUFACTURING PRODUCTION, USE & SALE RIGHTS REGARDING SAME ARE EXPRESSLY RESERVED.



**CONFIGURATION  
FOR MF1301-5 ONLY**

THIRD ANGLE PROJECTION

EAR EXPORT CONTROLLED TECHNICAL DATA: DISTRIBUTION LIMITED TO U.S. PERSONS OR THOSE NON-U.S. PERSONS COVERED BY AN APPROPRIATE EXPORT LICENSE OR ALLOWED FOR BY THE APPROPRIATE REGULATIONS, ECCN: EAR99.

>>> SOURCE CONTROLLED <<<

APPROVED DATE

17JUN1976

CURRENT DESIGN ACTIVITY:



Arconic Fastening Systems  
Fullerton Operations  
800 S State College Boulevard  
Fullerton, California, 92831  
<http://www.arconic.com>

TITLE:

NUT - ANCHOR, 2 LUG,  
FLOATING, MINIATURE,  
SELF-LOCKING, ASSEMBLY

CAGE CODE: 15653

SALES DRAWING No.

REV. LETTER AND DATE:  
A 29NOV2018

CUSTOMER:

MF1301-(\* )

UNLESS OTHERWISE SPECIFIED, DIMENSIONS ARE  
IN INCHES & TO ASME Y14.5-2009 TOLERANCES:  
DECIMALS = ±.015; ANGLES = ±2°

FILED AS: s\_MF1301-1

MANUFACTURE OF THE PROPRIETARY PARTS SHOWN HERE WITHOUT WRITTEN CONSENT OF ARCONIC FASTENING SYSTEMS IS ABSOLUTELY PROHIBITED.

THIS DRAWING EMBODIES ARCONIC FASTENING SYSTEMS CONFIDENTIAL PROPRIETARY DESIGN & ALL DESIGN, MANUFACTURING, PRODUCTION, USE & SALE RIGHTS REGARDING SAME ARE EXPRESSLY RESERVED.

AFS PRODUCTS PART NO.	THREADS PER AS8879	A MAX	B MIN	C	ØD MIN	H MAX	J	ØK	M MIN	ØP	R MIN	T	V MAX	W MAX	
MF1301-	04	.1120-40UNJC-3B	.458	.150	.153 .143	.116	.153	.298 .294	.071 .066	---	.270 .152	.075	(.130)	.032	.315
	06	.1380-32UNJC-3B	.505		.176 .166	.142	.171	.345 .341			.270 .178				
	5	.3125-24UNJF-3B	1.010	----	.364 .354	.317	.328	.720 .716	.135 .130	.062	.392 .352	.117	.160 .095	----	.581

MATERIAL: A286 CORROSION RESISTANT STEEL PER AMS5525, AMS5732 OR AMS5737 (UNS S66286).

HEAT TREAT: Rc 49 MAXIMUM.

FINISH: NUT:  
SOLID FILM LUBRICANT COAT PER AS5272, TYPE I.  
BASKET:  
PASSIVATE.

PERFORMANCE: NASM25027, EXCEPT AS FOLLOWS:  
A) NUT REUSABILITY LIMITED TO FIVE CYCLES.

TEMPERATURE: 450 °F.

- NOTES:
- FLOATABILITY: .020 RADIALLY MINIMUM, FROM CENTERED POSITION.  
.027 VERTICALLY MAXIMUM, FOR SIZE MF1301-5.  
.020 VERTICALLY MAXIMUM, FOR SIZE MF1301-04 THRU MF1301-06.
  - FOR SIZES -.06 AND SMALLER: COUNTERSINK WITHIN THE LIMITS OF ØD.
  - MAGNETIC PERMEABILITY SHALL BE LESS THAN 2.0 (AIR=1.0) FOR A FIELD STRENGTH OF 200 OERSTEDS, USING A MAGNETIC PERMEABILITY INDICATOR PER ASTM A342 OR EQUIVALENT.
  - UNLESS OTHERWISE SPECIFIED:  
A) DIMENSIONS APPLY AFTER FINISH, BUT BEFORE LUBRICATION.  
B) SURFACE TEXTURE TO BE 125 MICROINCHES MAX, PER ASME B46.1.

FILED AS: s\_MF1301-1

THIRD ANGLE PROJECTION		EAR EXPORT CONTROLLED TECHNICAL DATA: DISTRIBUTION LIMITED TO U.S. PERSONS OR THOSE NON-U.S. PERSONS COVERED BY AN APPROPRIATE EXPORT LICENSE OR ALLOWED FOR BY THE APPROPRIATE REGULATIONS, ECCN: EAR99.		>>> SOURCE CONTROLLED <<<	
APPROVED DATE 17JUN1976		CURRENT DESIGN ACTIVITY: <b>ARCONIC</b> Arconic Fastening Systems Fullerton Operations 800 S State College Boulevard Fullerton, California, 92831 <a href="http://www.arconic.com">http://www.arconic.com</a>		TITLE: <b>NUT - ANCHOR, 2 LUG, FLOATING, MINIATURE, SELF-LOCKING, ASSEMBLY</b>	
REV. LETTER AND DATE: <b>A 29NOV2018</b>		CUSTOMER:		CAGE CODE: 15653	
				SALES DRAWING No.	
				<b>MF1301-(* )</b>	
				UNLESS OTHERWISE SPECIFIED, DIMENSIONS ARE IN INCHES & TO ASME Y14.5-2009 TOLERANCES: DECIMALS = ±.015; ANGLES = ±2°	
				PAGE 2 OF 2	