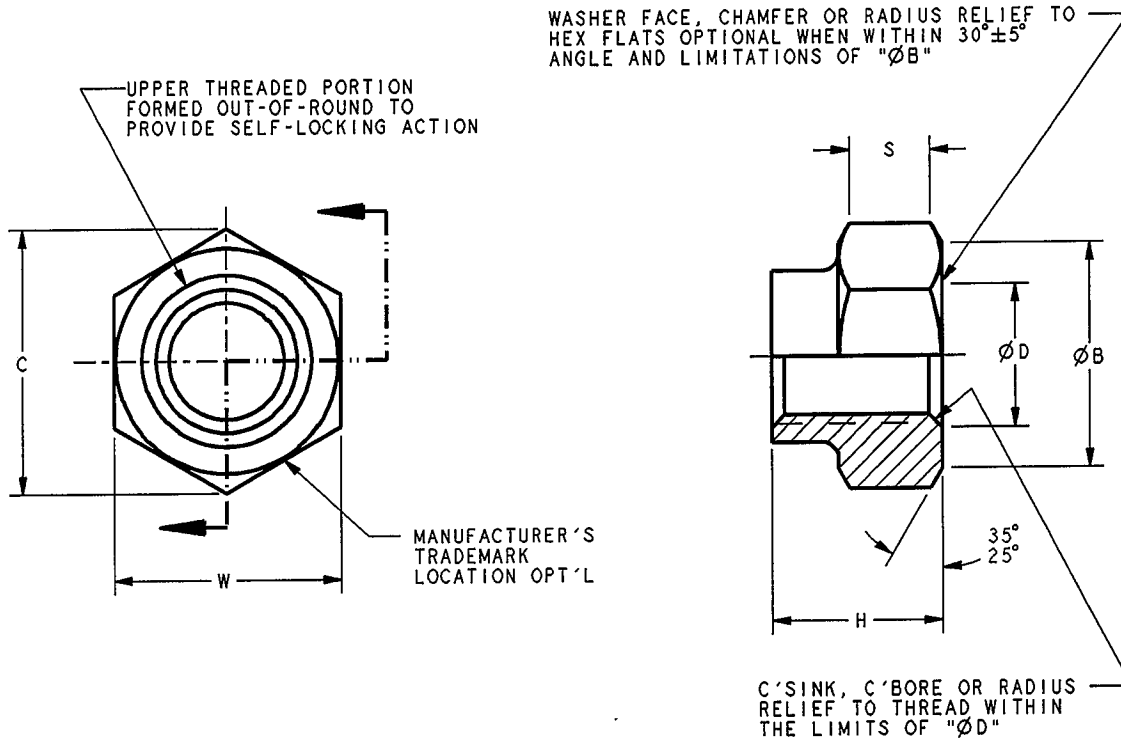


TITLE: NUT - HEX, SELF-LOCKING



MATERIAL: 303 CORROSION REISTANT STEEL PER ASTM A194,
 304 CORROSION REISTANT STEEL PER ASTM A493,
 305 CORROSION REISTANT STEEL PER ASM5640, OR
 A-286 CORROSION REISTANT STEEL PER ASTM A453.

FINISH: SILVER PLATE PER AMS2410. THREADS SHALL SHOW COMPLETE
 COVERAGE. SILVER ON ALL OTHER SURFACES OPTIONAL.

PERFORMANCE: MIL-DTL-25027.

APPLICATIONS: TEMPERATURE: 800°F.

NOTES: 1. SURFACE TEXTURE 125 MICROINCHES OR BETTER.

THIRD ANGLE PROJECTION DIMENSIONS ARE IN "INCHES"



KAYNAR PART NUMBER

H56-(*)

PAGE 2 OF 2

TITLE: NUT - HEX, SELF-LOCKING

KAYNAR PART No.	THREAD PER MIL-S-8879	B	C	D	H	S	W	AXIAL TENSILE STRENGTH lbf MINIMUM	APPROX WEIGHT lb/100	
		MIN	MIN			MIN				
H56	-04	.1120-40UNJC-3B	.223	.268	.156 .116	.157 .133	.044	.251 .243	750	.15
	-06	.1380-32UNJC-3B	.285	.339	.181 .141	.188 .160	.072	.313 .305	1,130	.30
	-08	.1640-32UNJC-3B	.316	.374	.208 .168	.250 .219	.091	.345 .336	1,720	.50
	-3	.1900-32UNJF-3B	.347	.410	.230	.250	.085	.376	2,460	.58
	-1024	.1900-24UNJC-3B			.190	.208		.367		
	-4	.2500-28UNJF-3B	.410	.482	.293	.328	.116	.439	4,580	.99
	-420	.2500-20UNJC-3B			.253	.240		.430		
	-5	.3125-24UNJF-3B	.472	.552	.356	.360	.123	.502	7,390	1.40
	-518	.3125-18UNJC-3B			.316	.271		.492		
	-6	.3750-24UNJF-3B	.533	.622	.418	.469	.153	.564	11,450	2.15
	-616	.3750-16UNJC-3B			.378	.318		.553		