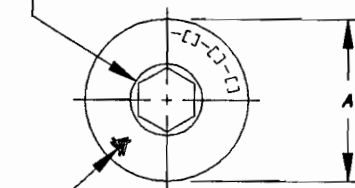
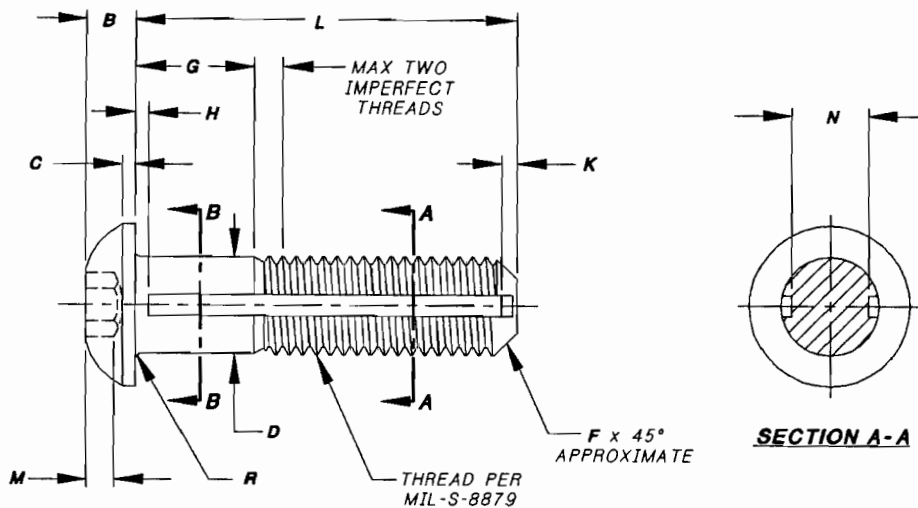


Voi-Shan • Tridair • Screwcorp

J HEX SOCKET  
PER ANSI B18.3



TRIDAIR LOGO, 1st, 2nd & 3rd  
DASH NUMBERS STAMPED  
.010 MAXIMUM DEEP



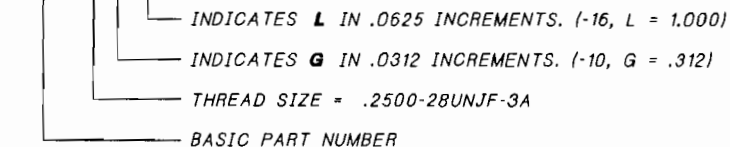
SECTION A-A

TABLE 1

FIRST DASH NO.	THREAD SIZE	A DIA	B	C REF	D DIA	F	H MAX	J NOM	K	M MIN	N MIN	R RAD	TENSILE STRENGTH LBS. MIN <12>	SINGLE SHEAR STRENGTH LBS. MIN. <12>	
														ACROSS A-A	ACROSS B-B
-06	.1380-32 UNJC-3A	.262 .250	.073 .063	.015	.1375 .1365	.030	.050	.078	.040	.044	.067	.010 .005	1,060	750	970
-08	.1640-32 UNJC-3A	.312 .298	.087 .077	.015	.1635 .1625	.030	.050	.094	.040	.052	.086	.020 .010	1,650	990	1,400
-10	.1900-32 UNJF-3A	.361 .347	.101 .091	.020	.1895 .1885	.030	.050	.125	.040	.070	.108	.020 .010	2,425	1,450	1,950
-4	.2500-28 UNJF-3A	.437 .419	.132 .122	.031	.2495 .2485	.035	.050	.156	.040	.087	.162	.020 .010	4,625	2,775	3,580
-5	.3125-24 UNJF-3A	.547 .527	.166 .152	.031	.3120 .3115	.040	.065	.188	.050	.105	.205	.020 .010	7,400	4,425	5,650
-6	.3750-24 UNJF-3A	.656 .636	.199 .185	.031	.3745 .3740	.040	.065	.219	.050	.122	.268	.025 .015	11,300	7,300	8,310

NOTES, UNLESS OTHERWISE SPECIFIED:

- MATERIAL: A286 CRES PER AMS5731 OR AMS5737.
- HEAT TREAT: 160 KSI MINIMUM TENSILE.
- FINISH: PASSIVATE PER QQ-P-35.
- THESE SCREWS ARE DESIGNED TO BE USED WITH CA2210-( ) RETAINING RING TO CAPTIVATE TO PANEL.
- PANEL PREPARATION PER FAIRCHILD'S CAL-STD-0260.
- INSTALLATION PROCEDURE PER FAIRCHILD'S SALES DRAWING NUMBER CA2210T-( ).
- PART CALLOUT EXAMPLE:  
CA2296-4-10-16



INTERIM DOCUMENT REVISION		
Rev.	Date	DAF #
B1	10/21/10	94301

- TOLERANCES, UNLESS OTHERWISE SPECIFIED: .XX ±.02, .XXX ±.010, ANGLES ±2°.
  - MAGNETIC PERMEABILITY IS LESS THAN 2.0 (AIR = 1.0) FOR A FIELD STRENGTH OF H200 OERSTEDS. MAGNETIC PERMEABILITY INDICATOR PER ASTM A342.
  - LONGER GRIPS (IN .0312 INCREMENTS) AND LONGER LENGTHS (IN .0625 INCREMENTS) THAN ARE SHOWN IN TABLES 2 THRU 7 MAY BE ORDERED.
- <12> TENSILE AND SHEAR STRENGTHS ARE CALCULATED VALUES.

PROJECT NUMBER: 93-176, 96-006 AND 96-019

APPROVED DATE	13 JUL 93
REV. LETTER AND DATE	<del>B</del> 7 DEC 93
ECN NUMBER	<del>ECN 37521</del>

**Fairchild** AEROSPACE FASTENER DIVISION  
**ENGINEERING CENTER**  
 3000 WEST LOMITA BOULEVARD  
 TORRANCE, CA 90505

**CAPTIVE SCREW**  
**BUTTON HEAD, HEX RECESS**  
**A286 CRES, 160 KSI**

CAGE CODE <b>29372</b>
TRIDAIR PRODUCT
<b>CA2296</b>
SHEET 1 OF 4

SCANNED

Voi-Shan • Tridair • Screwcorp

TABLE 2

	G GRIP									L LENGTH
	.062	.094	.125	.156	.187	.218	.250	.281	.312	
.1380-32 SIZE FIRST DASH NO. -06	-2-7	-3-7	-4-7	-5-7	-6-7	-7-7	-8-7	-9-7	-10-7	.437
	-2-8	-3-8	-4-8	-5-8	-6-8	-7-8	-8-8	-9-8	-10-8	.500
	-2-9	-3-9	-4-9	-5-9	-6-9	-7-9	-8-9	-9-9	-10-9	.562
	-2-10	-3-10	-4-10	-5-10	-6-10	-7-10	-8-10	-9-10	-10-10	.625
	-2-11	-3-11	-4-11	-5-11	-6-11	-7-11	-8-11	-9-11	-10-11	.687
	-2-12	-3-12	-4-12	-5-12	-6-12	-7-12	-8-12	-9-12	-10-12	.750
	-2-13	-3-13	-4-13	-5-13	-6-13	-7-13	-8-13	-9-13	-10-13	.812
	-2-14	-3-14	-4-14	-5-14	-6-14	-7-14	-8-14	-9-14	-10-14	.875
	-2-15	-3-15	-4-15	-5-15	-6-15	-7-15	-8-15	-9-15	-10-15	.937
	-2-16	-3-16	-4-16	-5-16	-6-16	-7-16	-8-16	-9-16	-10-16	1.000
	-2-17	-3-17	-4-17	-5-17	-6-17	-7-17	-8-17	-9-17	-10-17	1.062
	-2-18	-3-18	-4-18	-5-18	-6-18	-7-18	-8-18	-9-18	-10-18	1.125
	-2-19	-3-19	-4-19	-5-19	-6-19	-7-19	-8-19	-9-19	-10-19	1.187
	-2-20	-3-20	-4-20	-5-20	-6-20	-7-20	-8-20	-9-20	-10-20	1.250
	-2-21	-3-21	-4-21	-5-21	-6-21	-7-21	-8-21	-9-21	-10-21	1.312
	-2-22	-3-22	-4-22	-5-22	-6-22	-7-22	-8-22	-9-22	-10-22	1.375
	-2-23	-3-23	-4-23	-5-23	-6-23	-7-23	-8-23	-9-23	-10-23	1.437
	-2-24	-3-24	-4-24	-5-24	-6-24	-7-24	-8-24	-9-24	-10-24	1.500
	-2-25	-3-25	-4-25	-5-25	-6-25	-7-25	-8-25	-9-25	-10-25	1.562
	-2-26	-3-26	-4-26	-5-26	-6-26	-7-26	-8-26	-9-26	-10-26	1.625
	-2-27	-3-27	-4-27	-5-27	-6-27	-7-27	-8-27	-9-27	-10-27	1.687
	-2-28	-3-28	-4-28	-5-28	-6-28	-7-28	-8-28	-9-28	-10-28	1.750

TABLE 3

	G GRIP									L LENGTH
	.062	.094	.125	.156	.187	.218	.250	.281	.312	
.1640-32 SIZE FIRST DASH NO. -08	-2-7	-3-7	-4-7	-5-7	-6-7	-7-7	-8-7	-9-7	-10-7	.437
	-2-8	-3-8	-4-8	-5-8	-6-8	-7-8	-8-8	-9-8	-10-8	.500
	-2-9	-3-9	-4-9	-5-9	-6-9	-7-9	-8-9	-9-9	-10-9	.562
	-2-10	-3-10	-4-10	-5-10	-6-10	-7-10	-8-10	-9-10	-10-10	.625
	-2-11	-3-11	-4-11	-5-11	-6-11	-7-11	-8-11	-9-11	-10-11	.687
	-2-12	-3-12	-4-12	-5-12	-6-12	-7-12	-8-12	-9-12	-10-12	.750
	-2-13	-3-13	-4-13	-5-13	-6-13	-7-13	-8-13	-9-13	-10-13	.812
	-2-14	-3-14	-4-14	-5-14	-6-14	-7-14	-8-14	-9-14	-10-14	.875
	-2-15	-3-15	-4-15	-5-15	-6-15	-7-15	-8-15	-9-15	-10-15	.937
	-2-16	-3-16	-4-16	-5-16	-6-16	-7-16	-8-16	-9-16	-10-16	1.000
	-2-17	-3-17	-4-17	-5-17	-6-17	-7-17	-8-17	-9-17	-10-17	1.062
	-2-18	-3-18	-4-18	-5-18	-6-18	-7-18	-8-18	-9-18	-10-18	1.125
	-2-19	-3-19	-4-19	-5-19	-6-19	-7-19	-8-19	-9-19	-10-19	1.187
	-2-20	-3-20	-4-20	-5-20	-6-20	-7-20	-8-20	-9-20	-10-20	1.250
	-2-21	-3-21	-4-21	-5-21	-6-21	-7-21	-8-21	-9-21	-10-21	1.312
	-2-22	-3-22	-4-22	-5-22	-6-22	-7-22	-8-22	-9-22	-10-22	1.375
	-2-23	-3-23	-4-23	-5-23	-6-23	-7-23	-8-23	-9-23	-10-23	1.437
	-2-24	-3-24	-4-24	-5-24	-6-24	-7-24	-8-24	-9-24	-10-24	1.500
	-2-25	-3-25	-4-25	-5-25	-6-25	-7-25	-8-25	-9-25	-10-25	1.562
	-2-26	-3-26	-4-26	-5-26	-6-26	-7-26	-8-26	-9-26	-10-26	1.625
	-2-27	-3-27	-4-27	-5-27	-6-27	-7-27	-8-27	-9-27	-10-27	1.687
	-2-28	-3-28	-4-28	-5-28	-6-28	-7-28	-8-28	-9-28	-10-28	1.750

INTERIM DOCUMENT REVISION		
Rev.	Date	DAF #
B1	10/21/10	94301

PROJECT NUMBER: 93-176, 96-006 AND 96-019

APPROVED DATE	13 JUL 93
REV. LETTER AND DATE	<del>B</del> 7 DEC 93
ECN NUMBER	<del>ECN 37321</del>

**Fairchild** AEROSPACE FASTENER DIVISION  
**ENGINEERING CENTER**  
 3000 WEST LOMITA BOULEVARD  
 TORRANCE, CA 90505

CAGE CODE **29372**  
 TRIDAIR PRODUCT

**CAPTIVE SCREW**  
**BUTTON HEAD, HEX RECESS**  
**A286 CRES, 160 KSI**

**CA2296**

Voi-Shan • Tridair • Screwcorp

TABLE 4

.1900-32 SIZE FIRST DASH NO. -10	G GRIP									L LENGTH
	.062	.094	.125	.156	.187	.218	.250	.281	.312	
-2-9	-3-9	-4-9	-5-9	-6-9	-7-9	-8-9	-9-9	-10-9	.562	
-2-10	-3-10	-4-10	-5-10	-6-10	-7-10	-8-10	-9-10	-10-10	.625	
-2-11	-3-11	-4-11	-5-11	-6-11	-7-11	-8-11	-9-11	-10-11	.687	
-2-12	-3-12	-4-12	-5-12	-6-12	-7-12	-8-12	-9-12	-10-12	.750	
-2-13	-3-13	-4-13	-5-13	-6-13	-7-13	-8-13	-9-13	-10-13	.812	
-2-14	-3-14	-4-14	-5-14	-6-14	-7-14	-8-14	-9-14	-10-14	.875	
-2-15	-3-15	-4-15	-5-15	-6-15	-7-15	-8-15	-9-15	-10-15	.937	
-2-16	-3-16	-4-16	-5-16	-6-16	-7-16	-8-16	-9-16	-10-16	1.000	
-2-17	-3-17	-4-17	-5-17	-6-17	-7-17	-8-17	-9-17	-10-17	1.062	
-2-18	-3-18	-4-18	-5-18	-6-18	-7-18	-8-18	-9-18	-10-18	1.125	
-2-19	-3-19	-4-19	-5-19	-6-19	-7-19	-8-19	-9-19	-10-19	1.187	
-2-20	-3-20	-4-20	-5-20	-6-20	-7-20	-8-20	-9-20	-10-20	1.250	
-2-21	-3-21	-4-21	-5-21	-6-21	-7-21	-8-21	-9-21	-10-21	1.312	
-2-22	-3-22	-4-22	-5-22	-6-22	-7-22	-8-22	-9-22	-10-22	1.375	
-2-23	-3-23	-4-23	-5-23	-6-23	-7-23	-8-23	-9-23	-10-23	1.437	
-2-24	-3-24	-4-24	-5-24	-6-24	-7-24	-8-24	-9-24	-10-24	1.500	
-2-25	-3-25	-4-25	-5-25	-6-25	-7-25	-8-25	-9-25	-10-25	1.562	
-2-26	-3-26	-4-26	-5-26	-6-26	-7-26	-8-26	-9-26	-10-26	1.625	
-2-27	-3-27	-4-27	-5-27	-6-27	-7-27	-8-27	-9-27	-10-27	1.687	
-2-28	-3-28	-4-28	-5-28	-6-28	-7-28	-8-28	-9-28	-10-28	1.750	

TABLE 5

.2500-28 SIZE FIRST DASH NO. -4	G GRIP									L LENGTH
	.062	.094	.125	.156	.187	.218	.250	.281	.312	
-2-10	-3-10	-4-10	-5-10	-6-10	-7-10	-8-10	-9-10	-10-10	.625	
-2-11	-3-11	-4-11	-5-11	-6-11	-7-11	-8-11	-9-11	-10-11	.687	
-2-12	-3-12	-4-12	-5-12	-6-12	-7-12	-8-12	-9-12	-10-12	.750	
-2-13	-3-13	-4-13	-5-13	-6-13	-7-13	-8-13	-9-13	-10-13	.812	
-2-14	-3-14	-4-14	-5-14	-6-14	-7-14	-8-14	-9-14	-10-14	.875	
-2-15	-3-15	-4-15	-5-15	-6-15	-7-15	-8-15	-9-15	-10-15	.937	
-2-16	-3-16	-4-16	-5-16	-6-16	-7-16	-8-16	-9-16	-10-16	1.000	
-2-17	-3-17	-4-17	-5-17	-6-17	-7-17	-8-17	-9-17	-10-17	1.062	
-2-18	-3-18	-4-18	-5-18	-6-18	-7-18	-8-18	-9-18	-10-18	1.125	
-2-19	-3-19	-4-19	-5-19	-6-19	-7-19	-8-19	-9-19	-10-19	1.187	
-2-20	-3-20	-4-20	-5-20	-6-20	-7-20	-8-20	-9-20	-10-20	1.250	
-2-21	-3-21	-4-21	-5-21	-6-21	-7-21	-8-21	-9-21	-10-21	1.312	
-2-22	-3-22	-4-22	-5-22	-6-22	-7-22	-8-22	-9-22	-10-22	1.375	
-2-23	-3-23	-4-23	-5-23	-6-23	-7-23	-8-23	-9-23	-10-23	1.437	
-2-24	-3-24	-4-24	-5-24	-6-24	-7-24	-8-24	-9-24	-10-24	1.500	
-2-25	-3-25	-4-25	-5-25	-6-25	-7-25	-8-25	-9-25	-10-25	1.562	
-2-26	-3-26	-4-26	-5-26	-6-26	-7-26	-8-26	-9-26	-10-26	1.625	
-2-27	-3-27	-4-27	-5-27	-6-27	-7-27	-8-27	-9-27	-10-27	1.687	
-2-28	-3-28	-4-28	-5-28	-6-28	-7-28	-8-28	-9-28	-10-28	1.750	

INTERIM DOCUMENT REVISION		
Rev.	Date	DAF #
B1	10/21/10	94301

PROJECT NUMBER: 93-176, 96-006 AND 96-019

APPROVED DATE	<i>Mm</i> 13 JUL 93
REV. LETTER AND DATE	<del>B</del> 7 DEC 93
ECN NUMBER	<del>ECN 37521</del>

**Fairchild** AEROSPACE FASTENER DIVISION  
**ENGINEERING CENTER**  
 3000 WEST LOMITA BOULEVARD  
 TORRANCE, CA 90505

CAGE CODE **29372**  
 TRIDAIR PRODUCT

**CAPTIVE SCREW**  
**BUTTON HEAD, HEX RECESS**  
**A286 CRES, 160 KSI**

**CA2296**

Voi-Shan • Tridair • Screwcorp

TABLE 6

.3125-24 SIZE FIRST DASH NO. -5	G GRIP									L LENGTH
	.062	.094	.125	.156	.187	.218	.250	.281	.312	
-2-10	-3-10	-4-10	-5-10	-6-10	-7-10	-8-10	-9-10	-10-10	.625	
-2-11	-3-11	-4-11	-5-11	-6-11	-7-11	-8-11	-9-11	-10-11	.687	
-2-12	-3-12	-4-12	-5-12	-6-12	-7-12	-8-12	-9-12	-10-12	.750	
-2-13	-3-13	-4-13	-5-13	-6-13	-7-13	-8-13	-9-13	-10-13	.812	
-2-14	-3-14	-4-14	-5-14	-6-14	-7-14	-8-14	-9-14	-10-14	.875	
-2-15	-3-15	-4-15	-5-15	-6-15	-7-15	-8-15	-9-15	-10-15	.937	
-2-16	-3-16	-4-16	-5-16	-6-16	-7-16	-8-16	-9-16	-10-16	1.000	
-2-17	-3-17	-4-17	-5-17	-6-17	-7-17	-8-17	-9-17	-10-17	1.062	
-2-18	-3-18	-4-18	-5-18	-6-18	-7-18	-8-18	-9-18	-10-18	1.125	
-2-19	-3-19	-4-19	-5-19	-6-19	-7-19	-8-19	-9-19	-10-19	1.187	
-2-20	-3-20	-4-20	-5-20	-6-20	-7-20	-8-20	-9-20	-10-20	1.250	
-2-21	-3-21	-4-21	-5-21	-6-21	-7-21	-8-21	-9-21	-10-21	1.312	
-2-22	-3-22	-4-22	-5-22	-6-22	-7-22	-8-22	-9-22	-10-22	1.375	
-2-23	-3-23	-4-23	-5-23	-6-23	-7-23	-8-23	-9-23	-10-23	1.437	
-2-24	-3-24	-4-24	-5-24	-6-24	-7-24	-8-24	-9-24	-10-24	1.500	
-2-25	-3-25	-4-25	-5-25	-6-25	-7-25	-8-25	-9-25	-10-25	1.562	
-2-26	-3-26	-4-26	-5-26	-6-26	-7-26	-8-26	-9-26	-10-26	1.625	
-2-27	-3-27	-4-27	-5-27	-6-27	-7-27	-8-27	-9-27	-10-27	1.687	
-2-28	-3-28	-4-28	-5-28	-6-28	-7-28	-8-28	-9-28	-10-28	1.750	

TABLE 7

.3750-24 SIZE FIRST DASH NO. -6	G GRIP										L LENGTH
	.062	.094	.125	.156	.187	.218	.250	.281	.312	.437	
-2-10	-3-10	-4-10	-5-10	-6-10	-7-10	-8-10	-9-10	-10-10			.625
-2-11	-3-11	-4-11	-5-11	-6-11	-7-11	-8-11	-9-11	-10-11			.687
-2-12	-3-12	-4-12	-5-12	-6-12	-7-12	-8-12	-9-12	-10-12			.750
-2-13	-3-13	-4-13	-5-13	-6-13	-7-13	-8-13	-9-13	-10-13	-14-13		.812
-2-14	-3-14	-4-14	-5-14	-6-14	-7-14	-8-14	-9-14	-10-14			.875
-2-15	-3-15	-4-15	-5-15	-6-15	-7-15	-8-15	-9-15	-10-15			.937
-2-16	-3-16	-4-16	-5-16	-6-16	-7-16	-8-16	-9-16	-10-16		-16-16	1.000
-2-17	-3-17	-4-17	-5-17	-6-17	-7-17	-8-17	-9-17	-10-17			1.062
-2-18	-3-18	-4-18	-5-18	-6-18	-7-18	-8-18	-9-18	-10-18			1.125
-2-19	-3-19	-4-19	-5-19	-6-19	-7-19	-8-19	-9-19	-10-19			1.187
-2-20	-3-20	-4-20	-5-20	-6-20	-7-20	-8-20	-9-20	-10-20			1.250
-2-21	-3-21	-4-21	-5-21	-6-21	-7-21	-8-21	-9-21	-10-21			1.312
-2-22	-3-22	-4-22	-5-22	-6-22	-7-22	-8-22	-9-22	-10-22			1.375
-2-23	-3-23	-4-23	-5-23	-6-23	-7-23	-8-23	-9-23	-10-23			1.437
-2-24	-3-24	-4-24	-5-24	-6-24	-7-24	-8-24	-9-24	-10-24			1.500
-2-25	-3-25	-4-25	-5-25	-6-25	-7-25	-8-25	-9-25	-10-25			1.562
-2-26	-3-26	-4-26	-5-26	-6-26	-7-26	-8-26	-9-26	-10-26			1.625
-2-27	-3-27	-4-27	-5-27	-6-27	-7-27	-8-27	-9-27	-10-27			1.687
-2-28	-3-28	-4-28	-5-28	-6-28	-7-28	-8-28	-9-28	-10-28			1.750

INTERIM DOCUMENT REVISION		
Rev.	Date	DAF #
B1	10/21/10	94 301

PROJECT NUMBER: 93-176, 96-006 AND 96-019

APPROVED DATE	13 JUL 93
REV. LETTER AND DATE	<del>B</del> 7 DEC 95
ECN NUMBER	<del>ECN 37321</del>

**Fairchild** AEROSPACE FASTENER DIVISION  
**ENGINEERING CENTER**  
 3000 WEST LOMITA BOULEVARD  
 TORRANCE, CA 90505

**CAPTIVE SCREW  
 BUTTON HEAD, HEX RECESS  
 A286 CRES, 160 KSI**

CAGE CODE **29372**  
 TRIDAIR PRODUCT

**CA2296**