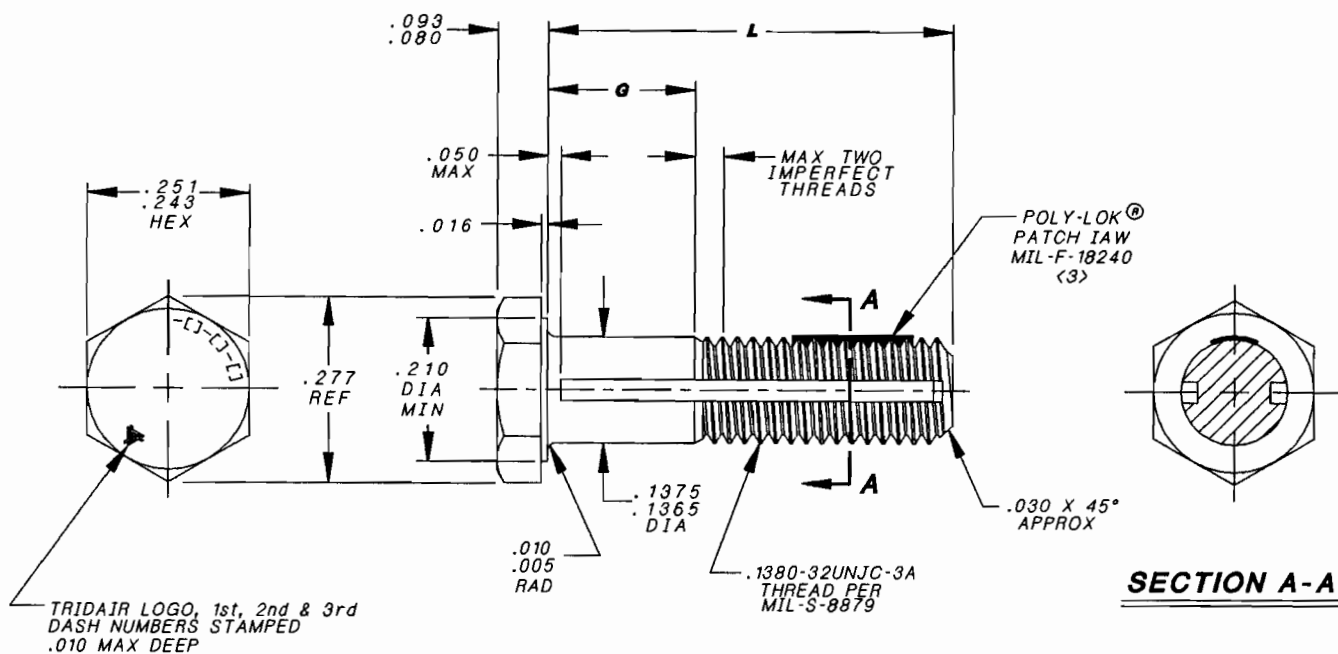


Voi-Shan • Tridair • Screwcorp



.138-32 SIZE FIRST DASH NUMBER -06	G GRIP									L LENGTH
	.062	.094	.125	.156	.187	.218	.250	.281	.312	
-2-8	-3-8	-4-8	-5-8	-6-8	-7-8	-8-8				.500
-2-9	-3-9	-4-9	-5-9	-6-9	-7-9	-8-9	-9-9	-10-9		.562
-2-10	-3-10	-4-10	-5-10	-6-10	-7-10	-8-10	-9-10	-10-10		.625
-2-11	-3-11	-4-11	-5-11	-6-11	-7-11	-8-11	-9-11	-10-11		.687
-2-12	-3-12	-4-12	-5-12	-6-12	-7-12	-8-12	-9-12	-10-12		.750
-2-13	-3-13	-4-13	-5-13	-6-13	-7-13	-8-13	-9-13	-10-13		.812
-2-14	-3-14	-4-14	-5-14	-6-14	-7-14	-8-14	-9-14	-10-14		.875
-2-15	-3-15	-4-15	-5-15	-6-15	-7-15	-8-15	-9-15	-10-15		.937
-2-16	-3-16	-4-16	-5-16	-6-16	-7-16	-8-16	-9-16	-10-16		1.000
-2-17	-3-17	-4-17	-5-17	-6-17	-7-17	-8-17	-9-17	-10-17		1.062
-2-18	-3-18	-4-18	-5-18	-6-18	-7-18	-8-18	-9-18	-10-18		1.125
-2-19	-3-19	-4-19	-5-19	-6-19	-7-19	-8-19	-9-19	-10-19		1.187
-2-20	-3-20	-4-20	-5-20	-6-20	-7-20	-8-20	-9-20	-10-20		1.250
-2-21	-3-21	-4-21	-5-21	-6-21	-7-21	-8-21	-9-21	-10-21		1.312
-2-22	-3-22	-4-22	-5-22	-6-22	-7-22	-8-22	-9-22	-10-22		1.375
-2-23	-3-23	-4-23	-5-23	-6-23	-7-23	-8-23	-9-23	-10-23		1.437
-2-24	-3-24	-4-24	-5-24	-6-24	-7-24	-8-24	-9-24	-10-24		1.500
-2-25	-3-25	-4-25	-5-25	-6-25	-7-25	-8-25	-9-25	-10-25		1.562
-2-26	-3-26	-4-26	-5-26	-6-26	-7-26	-8-26	-9-26	-10-26		1.625
-2-27	-3-27	-4-27	-5-27	-6-27	-7-27	-8-27	-9-27	-10-27		1.687
-2-28	-3-28	-4-28	-5-28	-6-28	-7-28	-8-28	-9-28	-10-28		1.750

INTERIM DOCUMENT REVISION		
Rev.	Date	DAF #
A1	10/21/10	94301

PROJECT NUMBER: 93-052A

SCANNED

APPROVED DATE
29 APR 93
REV. LETTER AND DATE
A 5 MAY 93
ECN NUMBER
ECN 33290

Fairchild AEROSPACE FASTENER DIVISION
 ENGINEERING CENTER
 3000 WEST LOMITA BOULEVARD
 TORRANCE, CA 90505

CAGE CODE **92215**
 TRIDAIR PRODUCT

SCREW, HEX HEAD,
 CAPTIVE, CRES
 LOCKING PATCH, .138-32 SIZE

CA2293-06L-(-)-(-)

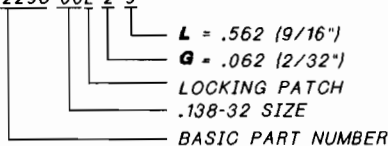
Voi-Shan • Tridair • Screwcorp

NOTES:

1. MATERIAL: A286 CRES PER AMS 5737, AMS 5731, HEAT TREATED TO 140,000 PSI MINIMUM TENSILE.
2. FINISH: PASSIVATE PER QQ-P-35.
3. "POLY-LOK" IS A REGISTERED TRADEMARK OF LONG-LOK FASTENERS CORPORATION.
4. RECOMMENDED SEATING TORQUE: 10 TO 16 IN-LBS.
5. MINIMUM ULTIMATE TENSILE STRENGTH (CALCULATED): 920 LBS.
6. MINIMUM ULTIMATE SINGLE SHEAR STRENGTH (CALCULATED): 600 LBS.
7. SCREW TO BE USE WITH CA2210-06R RETAINING RING TO CAPTIVATE TO PANEL.
8. PANEL PREPARATION: REFER TO CAL-STD-0260 FOR .138-32 SCREW THREAD SIZE EXCEPT "A" HOLE DIAMETER TO BE .141 MINIMUM.
9. INSTALLATION: REFER TO TRIDAIR DRAWING CA2210T-()

11. TOLERANCES, UNLESS OTHERWISE SPECIFIED: .XX ±.02, .XXX± .010, ANGLES: 2°.

12. PART CALLOUT EXAMPLE: CA2293-06L-2-9



INTERIM DOCUMENT REVISION		
Rev.	Date	DAF #
A1	10/21/10	94301

PROJECT NUMBER: 93-052A

APPROVED DATE	29 APR 93
REV. LETTER AND DATE	A 5 MAY 93
ECN NUMBER	ECN 33290

Fairchild AEROSPACE FASTENER DIVISION
ENGINEERING CENTER
 3000 WEST LOMITA BOULEVARD
 TORRANCE, CA 90505

CAGE CODE **92215**
 TRIDAIR PRODUCT

**SCREW, HEX HEAD,
 CAPTIVE, CRES
 LOCKING PATCH, .138-32 SIZE**

CA2293-06L-()-()
 SHEET 2 OF 2

SCANNED