

Voi-Shan • Tridair • Screwcorp

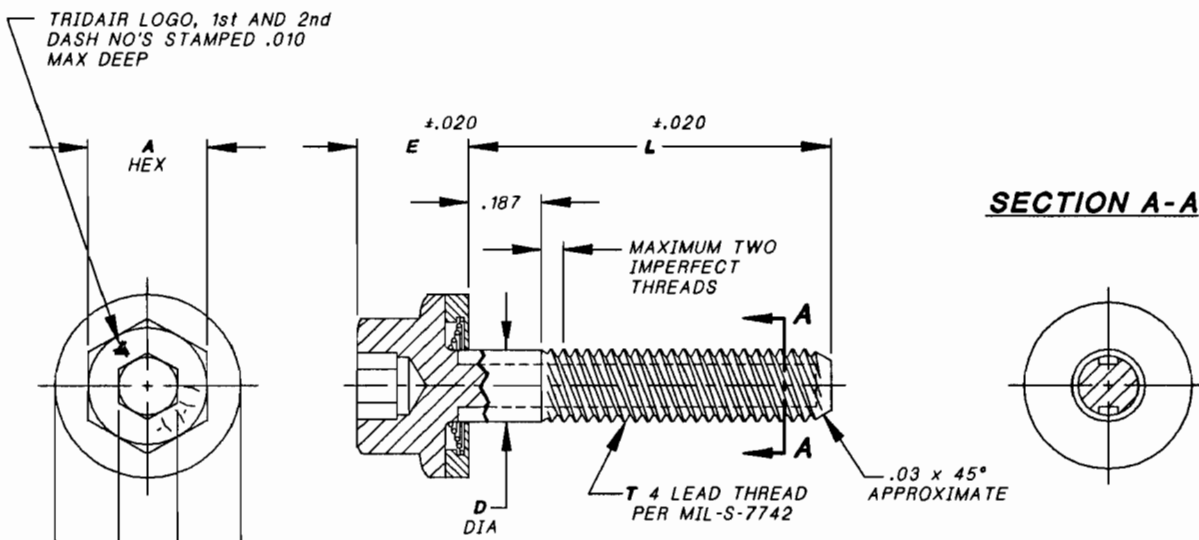


FIGURE I - SCREW ASSEMBLY

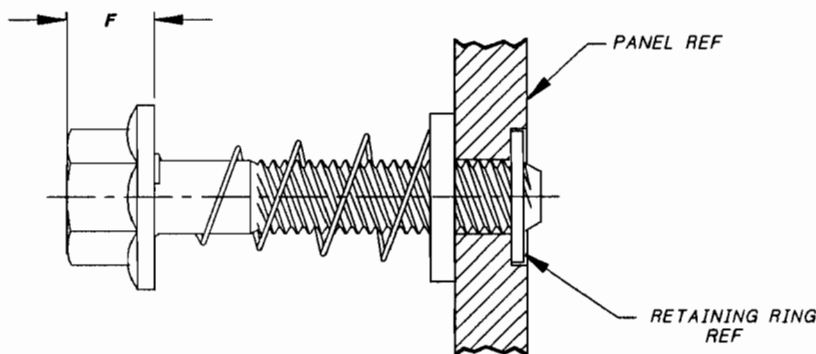


FIGURE II - INSTALLED AND RETRACTED

TABLE 1

1ST DASH NUMBER	T 4 LEAD THREAD SIZE	A HEX	B DIA	C NOM	D DIA	E	F
-08	.164-32UNC-3A	.312 .305	.380	.156	.1635 .1625	.240	.178
-10	.190-32UNF-3A	.312 .305	.480	.156	.1895 .1885	.290	.230
-4	.250-28UNF-3A	.376 .367	.500	.188	.2495 .2485	.322	.260

TABLE 2

1ST DASH NUMBER	USE RETAINING RING	ULTIMATE TENSILE STRENGTH MIN (CALCULATED)	ULTIMATE SHEAR STRENGTH MIN (CALCULATED)	RECOMMENDED SEATING TORQUE
-08	CA2210-08R	1,660 LBS	990 LBS	22-33 IN/LBS
-10	CA2210-10R	2,425 LBS	1,450 LBS	37-57 IN/LBS
-4	CA2210-4R	4,625 LBS	2,775 LBS	92-140 IN/LBS

INTERIM DOCUMENT REVISION	Rev.	DAF #
	Date	94301

PROJECT NUMBER: 93-104

APPROVED DATE	28 JAN 93
REV. LETTER AND DATE	28 JAN 93
ECN NUMBER	ECN 32438

Fairchild AEROSPACE FASTENER DIVISION
 ENGINEERING CENTER
 3000 WEST LOMITA BOULEVARD
 TORRANCE, CA 90505

CAGE CODE 92215
 TRIDAIR PRODUCT

CAPTIVE SCREW ASSEMBLIES.
 SELF-RETRACTING, CRIMPING TYPE,
 CRES, 160 KSI

CA2283-()-()

SHEET 1 OF 2

SCANNED

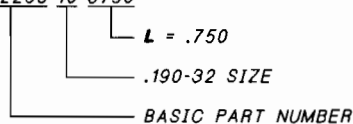
Voi-Shan • Tridair • Screwcorp

TABLE 3

2ND DASH NUMBER	L	2ND DASH NUMBER	L
-0500	.500	-0750	.750
-0562	.562	-0812	.812
-0625	.625	-0875	.875
-0687	.687	-0937	.937

NOTES:

- MATERIAL: SCREW - A286 CRES PER AMS5731, AMS5737.
HOUSING - 300 SERIES CRES PER AMS5640, ASTM-A555, ASTM-A581.
SPRING - 302 CRES PER ASTM-A313.
- HEAT TREAT: SCREW ONLY - 160,000 PSI MINIMUM TENSILE.
- FINISH: ALL COMPONENTS - PASSIVATED PER QQ-P-35.
- PANEL PREPARATION: REFER TO DRAWING NUMBER CAL-STD-0260.
- REFER TO DRAWING NUMBER CA2210T-1) FOR INSTALLATION PROCEDURE AND REQUIRED TOOL.
- PART CALLOUT EXAMPLE:
CA2283-10-0750



- TOLERANCES, UNLESS OTHERWISE SPECIFIED: DECIMALS .XX ±.02, .XXX ± .010, ANGLE ±2°.

INTERIM DOCUMENT REVISION		
Rev.	Date	DAF #
N/A1	10/21/10	9430

PROJECT NUMBER: 98-104
543154

APPROVED DATE	Fairchild AEROSPACE FASTENER DIVISION ENGINEERING CENTER 3000 WEST LOMITA BOULEVARD TORRANCE, CA 90505	CAGE CODE 92215
28 JAN 93		TRIDAIR PRODUCT
REV. LETTER AND DATE		CA2283-()-()
20 JAN 93		
ECN NUMBER	CAPTIVE SCREW ASSEMBLIES. SELF-RETRACTING, CRIMPING TYPE, CRES, 160 KSI	SHEET 2 OF 2
ECN 32456		

DRAWN BY