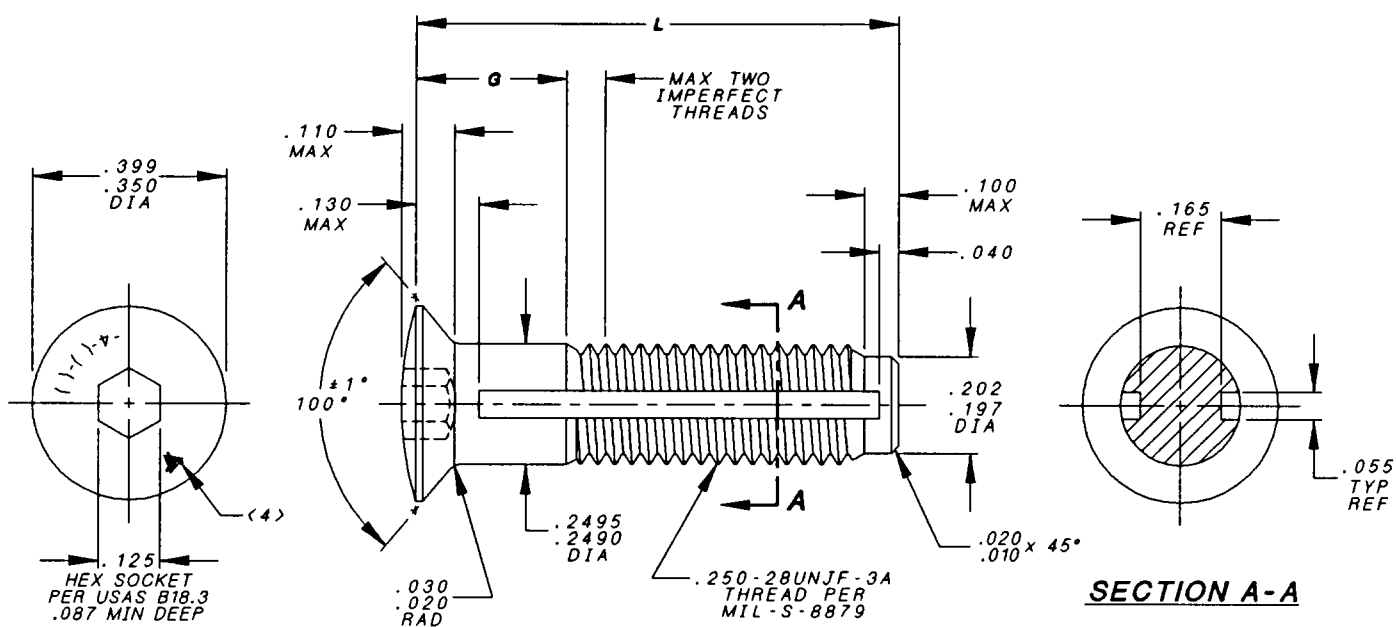


Voi-Shan • Tridair • Screwcorp



	G GRIP						L LENGTH
	.156	.187	.218	.250	.281	.312	
.250-28 SIZE FIRST DASH NO.-4	-5-7	-6-7					.437
	-5-8	-6-8	-7-8	-8-8			.500
	-5-9	-6-9	-7-9	-8-9	-9-9	-10-9	.562
	-5-10	-6-10	-7-10	-8-10	-9-10	-10-10	.625
	-5-11	-6-11	-7-11	-8-11	-9-11	-10-11	.687
	-5-12	-6-12	-7-12	-8-12	-9-12	-10-12	.750
	-5-13	-6-13	-7-13	-8-13	-9-13	-10-13	.812
	-5-14	-6-14	-7-14	-8-14	-9-14	-10-14	.875
	-5-15	-6-15	-7-15	-8-15	-9-15	-10-15	.937
	-5-16	-6-16	-7-16	-8-16	-9-16	-10-16	1.000
	-5-17	-6-17	-7-17	-8-17	-9-17	-10-17	1.062
	-5-18	-6-18	-7-18	-8-18	-9-18	-10-18	1.125
	-5-19	-6-19	-7-19	-8-19	-9-19	-10-19	1.187
	-5-20	-6-20	-7-20	-8-20	-9-20	-10-20	1.250
	-5-21	-6-21	-7-21	-8-21	-9-21	-10-21	1.312
	-5-22	-6-22	-7-22	-8-22	-9-22	-10-22	1.375
	-5-23	-6-23	-7-23	-8-23	-9-23	-10-23	1.437
	-5-24	-6-24	-7-24	-8-24	-9-24	-10-24	1.500
	-5-25	-6-25	-7-25	-8-25	-9-25	-10-25	1.562
	-5-26	-6-26	-7-26	-8-26	-9-26	-10-26	1.625
	-5-27	-6-27	-7-27	-8-27	-9-27	-10-27	1.687
	-5-28	-6-28	-7-28	-8-28	-9-28	-10-28	1.750

APPROVED DATE
17 DEC 92
REV. LETTER AND DATE
- 17 DEC 92
ECN NUMBER
ECN 32208

**Fairchild** AEROSPACE FASTENER DIVISION  
 ENGINEERING R&D CENTER  
 1 CIVIC PLAZA, SUITE 500  
 CARSON, CA 90745

CAGE CODE 92215  
 TRIDAIR PRODUCT

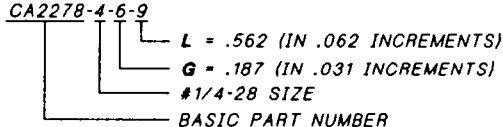
CAPTIVE SCREW, CRES, 160 KSI,  
 OVAL COUNTERSUNK HEAD, #1/4-28 SIZE

CA2278-4-()-()  
 SHEET 1 OF 2


SA3124

Voi-Shan • Tridair • Screwcorp

**NOTES:**

1. MATERIAL: A-286 CRES PER AMS5731, AMS5737.
2. HEAT TREAT: 160,000 PSI MINIMUM TENSILE.
3. FINISH: PASSIVATE PER QQ-P-35.
- <4> PART MARKING: HEAD OF SCREW TO BE STAMPED .010 MAX DEEP WITH TRIDAIR LOGO, 1st, 2nd & 3rd DASH NUMBER'S.
5. SCREW TO BE USED WITH A CA21062-4R RETAINING RING TO CAPTIVATE TO PANEL. SCREW MAY ALSO BE USED WITH A CA21062-4W WASHER OR A CA21062-4S SPACER AS ALTERNATES TO COUNTERBORING THE TOP PANEL OR SUBSTRUCTURE FOR THE RETAINING RING.
6. INSTALLATION: REFER TO CAL-STD-0140, SHEET 6.
7. PART CALLOUT EXAMPLE:  

  - L = .562 (IN .062 INCREMENTS)
  - G = .187 (IN .031 INCREMENTS)
  - #1/4-28 SIZE
  - BASIC PART NUMBER
8. MINIMUM STRENGTHS (CALCULATED):
  - 8.1 ULTIMATE TENSILE: 4625 LBS.
  - 8.2 ULTIMATE SINGLE SHEAR: 2775 LBS.
9. RECOMMENDED SEATING TORQUE: 92-140 IN-LBS.
10. TOLERANCES, UNLESS OTHERWISE SPECIFIED: .XX ±.02, .XXX ±.010, ANGLE: 2°.

PROJECT NUMBER: 93-081

APPROVED DATE	 <b>AEROSPACE FASTENER DIVISION</b> <b>ENGINEERING R&amp;D CENTER</b> 1 CIVIC PLAZA, SUITE 500 CARSON, CA 90745	CAGE CODE <b>92215</b>
17 DEC 92		TRIDAIR PRODUCT
REV. LETTER AND DATE	<b>CAPTIVE SCREW, CRES, 160 KSI,</b> <b>OVAL COUNTERSUNK HEAD, #1/4-28 SIZE</b>	<b>CA2278-4-()-()</b>
- 17 DEC 92		
ECN NUMBER		
ECN 32208		
		SHEET 2 OF 2