

Voi-Shan • Tridair • Screwcorp

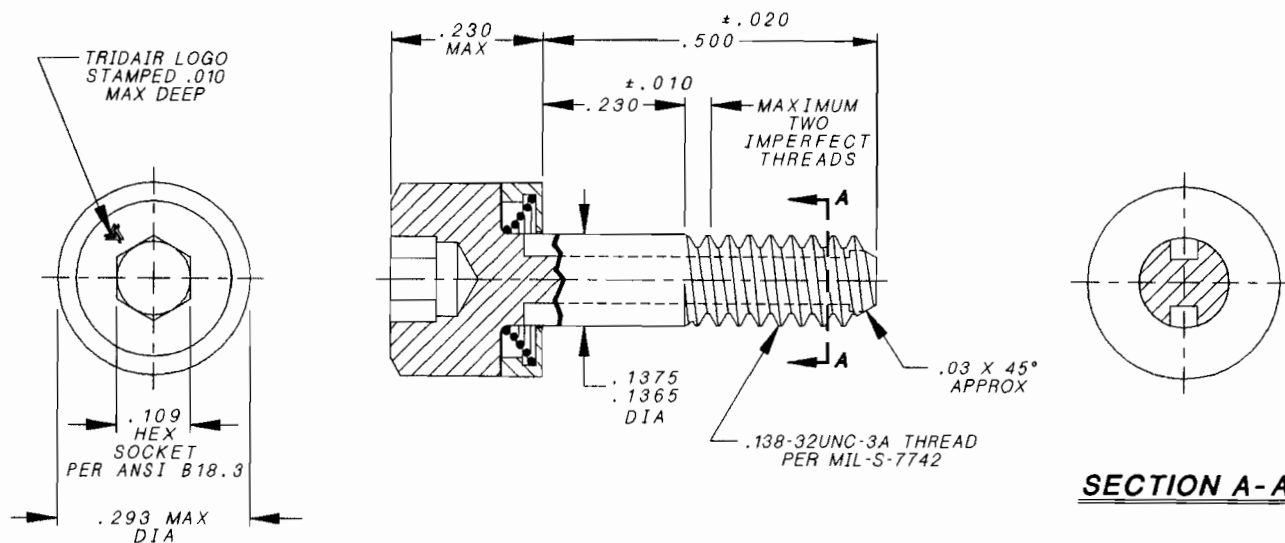


FIGURE I - INSTALLED ASSEMBLY

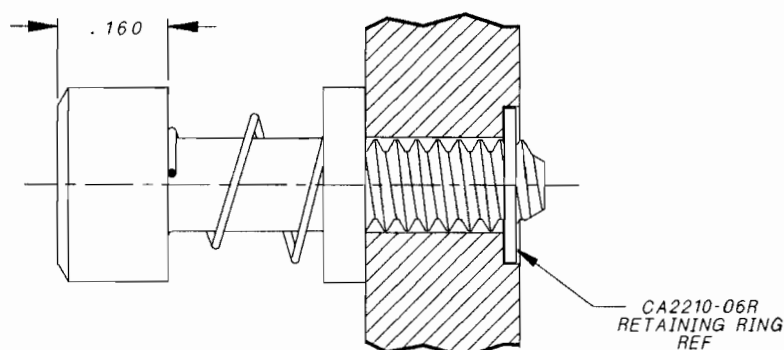


FIGURE II - INSTALLED & RETRACTED

NOTES:

1. MATERIAL: SCREW- 300 SERIES CRES PER AMS5640, ASTM-A555, ASTM-A581, QQ-S-763.
HOUSING- 300 SERIES CRES PER AMS5640, ASTM-A555, ASTM-A581.
SPRING- 302 CRES PER ASTM-A313.
2. HEAT TREAT: NONE.
3. FINISH: ALL COMPONENTS PASSIVATED PER QQ-P-35.
4. RECOMMENDED SEATING TORQUE: 6-9 IN-LBS.
5. THIS SCREW ASSEMBLY IS DESIGNED TO BE USED WITH A CA2210-06R RETAINING RING TO CAPTIVATE TO PANEL.
6. PANEL PREPARATION: REFER TO CAL-STD-0260.
7. REFER TO TRIDAIR DRAWING CA2210T-() FOR INSTALLATION PROCEDURE AND REQUIRED TOOL.
8. PART CALLOUT: CA2262-06-0500

INDICATES .500 LENGTH
#6-32 SIZE
BASIC PART NUMBER

INTERIM DOCUMENT REVISION		
Rev.	Date	DAF #
A1	10/21/10	94301

10. TOLERANCES, UNLESS OTHERWISE SPECIFIED: .XX ±.02, .XXX ±.010, ANGLES: ±2°.

PROJECT NUMBER: 92-167

APPROVED DATE	21 APR 92
REV. LETTER AND DATE	A 27 MAY 92
ECN NUMBER	ECN 00000

Fairchild AEROSPACE FASTENER DIVISION
ENGINEERING R&D CENTER
3000 WEST LOMITA BOULEVARD
TORRANCE, CA 90505

**CAPTIVE SCREW ASSEMBLY
SELF-RETRACTING, "CRIMPRING" TYPE,
#6-32 SIZE**

CAGE CODE	92215
CA2262-06-0500	
SHEET	1 OF 1

DRAWING