

Voi-Shan • Tridair • Screwcorp

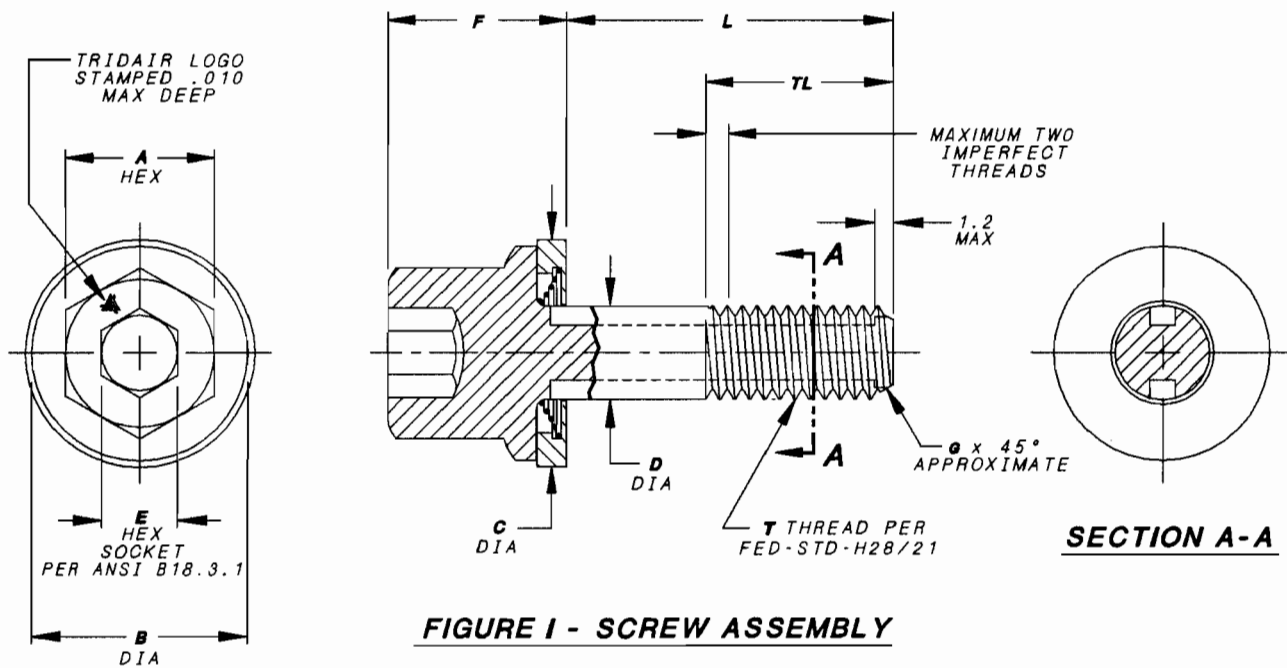


FIGURE I - SCREW ASSEMBLY

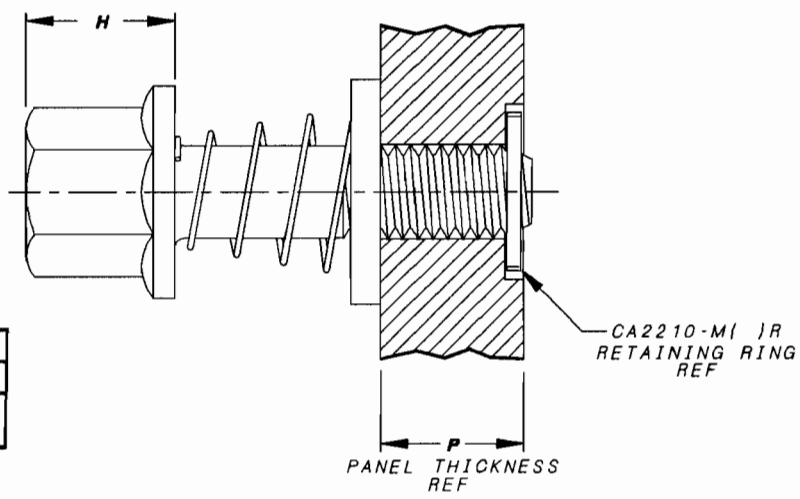


FIGURE II - INSTALLED & RETRACTED

INTERIM DOCUMENT REVISION		
Rev.	Date	DAF #
B1	10/21/10	94301

TABLE I

DASH NUMBER	T THREAD SIZE	A HEX	B DIA	C DIA	D DIA	E HEX NOMINAL	F ±0.50	G	H	L ±0.50	TL ±0.25	P REF
-M5-17.5	M5x0.8-6g	8.00 7.78	11.50	12.20	5.00 4.82	4.0	9.53	0.76	8.00	17.5	10.00	7.6
-M6-17.88	M6x1-6g	10.00 9.78	13.80	15.00	6.00 5.82	5.0	11.43	0.76	10.00	17.88	11.63	7.6
-M6-20.5	M6x1-6g	10.00 9.78	13.80	15.00	6.00 5.82	5.0	11.43	0.76	10.00	20.5	14.25	7.6

CURRENT DESIGN ACTIVITY CAGE CODE 29372, FAIRCHILD FASTENERS, 3000 W. LOMITA BLVD., TORRANCE, CALIFORNIA 90505

PROJECT NUMBER: 98-010

APPROVED DATE 20 JAN 92	Fairchild AEROSPACE FASTENER DIVISION ENGINEERING CENTER 3000 WEST LOMITA BOULEVARD TORRANCE, CA 90505	CAGE CODE 92215 TRIDAIR PRODUCT
REV. LETTER AND DATE B 22 JUL 97		CAPTIVE SCREW ASSEMBLIES SELF-RETRACTING "CRIMPRING" TYPE, M5 & M6 SIZES
DAF NUMBER DAF 40403		

SCANNED

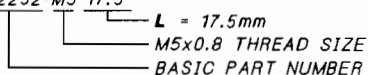
Voi-Shan - Tridair - Screwcorp

TABLE II

DASH NUMBER	MIN. TENSILE STRENGTH (NEWTONS)	MIN. SHEAR STRENGTH (NEWTONS)	RECOMMENDED SEATING TORQUE (NEWTON METERS)	USE RETAINING RING	USE INSTALLATION TOOL
-M5-17.5	9,795 N	9,356 N	4 TO 6 N·M	CA2210-M5R	CA2210T-M5
-M6-17.88	14,675 N	14,179 N	7 TO 11 N·M	CA2210-M6R	CA2210T-M6
-M6-20.5	14,675 N	14,179 N	7 TO 11 N·M	CA2210-M6R	CA2210T-M6

NOTES:

- MATERIAL: SCREW- A-286 CRES PER AMS5731, AMS5737.
HOUSING- 300 SERIES CRES PER AMS5640, ASTM-A555, ASTM-A581.
SPRING- 302 CRES PER ASTM-A313.
- HEAT TREAT: SCREW ONLY- 1103.2 MPa MIN.
- FINISH: PASSIVATED PER ASTM A 967.
- PANEL PREPARATION: REFER TO CAL-STD-0273.
- INSTALLATION PROCEDURE: REFER TO FAIRCHILD DRAWING CA2210T-M().
- DIMENSIONS ARE IN MILLIMETERS.
- PART CALLOUT EXAMPLE: CA2252-M5-17.5



- TENSILE AND SHEAR STRENGTHS ARE CALCULATED VALUES.
- TOLERANCES, UNLESS OTHERWISE SPECIFIED: .XX ±0.50, .XXX ±0.25, ANGLES: ±2°.

INTERIM DOCUMENT REVISION		
Rev.	Date	DAF #
B1	10/21/10	94301

PROJECT NUMBER: 98-010

CURRENT DESIGN ACTIVITY CAGE CODE 29372, FAIRCHILD FASTENERS, 3000 W. LOMITA BLVD., TORRANCE, CALIFORNIA 90505

APPROVED DATE 20 JAN 92	 FAIRCHILD AEROSPACE FASTENER DIVISION ENGINEERING CENTER 3000 WEST LOMITA BOULEVARD TORRANCE, CA 90505	CAGE CODE 92215 TRIDAIR PRODUCT
REV. LETTER AND DATE B 22 JUL 97		CAPTIVE SCREW ASSEMBLIES SELF-RETRACTING "CRIMPRING" TYPE, M5 & M6 SIZES
DAF NUMBER DAF 40485		