

SCANNED

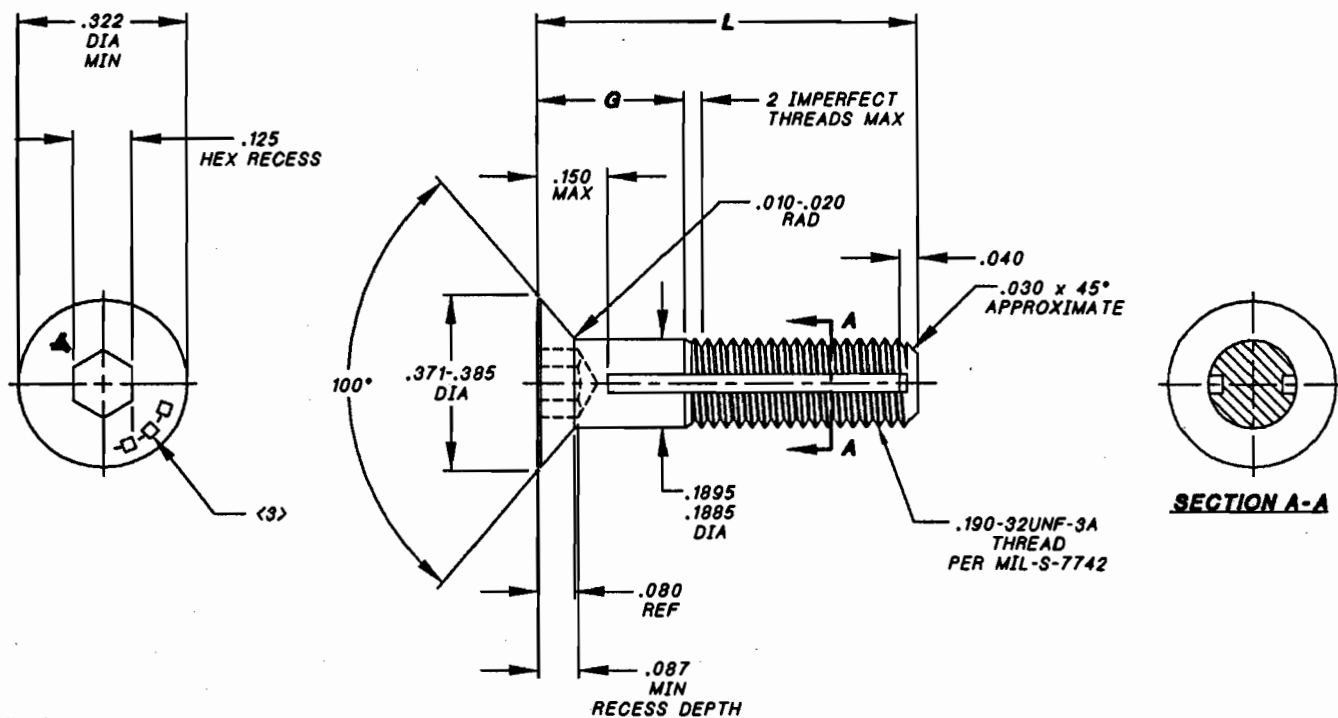
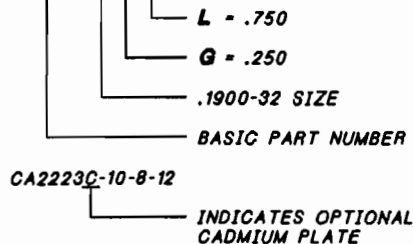


TABLE 1

G GRIP						L LENGTH
.156	.187	.218	.250	.281	.312	
-5-7	-6-7	-7-7	-8-7			.437
-5-8	-6-8	-7-8	-8-8	-9-8		.500
-5-9	-6-9	-7-9	-8-9	-9-9	-10-9	.562
-5-10	-6-10	-7-10	-8-10	-9-10	-10-10	.625
-5-11	-6-11	-7-11	-8-11	-9-11	-10-11	.687
-5-12	-6-12	-7-12	-8-12	-9-12	-10-12	.750
-5-13	-6-13	-7-13	-8-13	-9-13	-10-13	.812
-5-14	-6-14	-7-14	-8-14	-9-14	-10-14	.875
-5-15	-6-15	-7-15	-8-15	-9-15	-10-15	.937
-5-16	-6-16	-7-16	-8-16	-9-16	-10-16	1.000
-5-17	-6-17	-7-17	-8-17	-9-17	-10-17	1.062
-5-18	-6-18	-7-18	-8-18	-9-18	-10-18	1.125
-5-19	-6-19	-7-19	-8-19	-9-19	-10-19	1.187
-5-20	-6-20	-7-20	-8-20	-9-20	-10-20	1.250
-5-21	-6-21	-7-21	-8-21	-9-21	-10-21	1.312
-5-22	-6-22	-7-22	-8-22	-9-22	-10-22	1.375
-5-23	-6-23	-7-23	-8-23	-9-23	-10-23	1.437
-5-24	-6-24	-7-24	-8-24	-9-24	-10-24	1.500
-5-25	-6-25	-7-25	-8-25	-9-25	-10-25	1.562
-5-26	-6-26	-7-26	-8-26	-9-26	-10-26	1.625
-5-27	-6-27	-7-27	-8-27	-9-27	-10-27	1.687
-5-28	-6-28	-7-28	-8-28	-9-28	-10-28	1.750

NOTES; UNLESS OTHERWISE SPECIFIED:

- MATERIAL: 18-8 TYPE 300 SERIES CRES PER AMS-QQ-S-763.
- FINISH:
 - STANDARD: PASSIVATED PER AMS-QQ-P-35.
 - OPTIONAL: CADMIUM PLATE PER AMS-QQ-P-416, TYPE II, CLASS 2 INDICATED BY LETTER "C" AFTER BASIC PART NUMBER. SEE EXAMPLE, NOTE (9).
- PART MARKING: HEAD OF SCREW STAMPED .010 MAXIMUM DEEP WITH TRIDAIR LOGO. 1st, 2nd AND 3rd DASH NUMBERS.
- SCREW TO BE USED WITH CA2210-10R OR CA2210C-10R RETAINING RING TO CAPTIVATE PANEL.*
- PANEL PREPARATION: REFER TO TRIDAIR DRAWING NUMBER CAL-STD-0260.
- INSTALLATION: REFER TO TRIDAIR DRAWING NUMBER CA2210T-1.*
- MINIMUM STRENGTHS (CALCULATED):
 - ULTIMATE TENSILE: 1,200 LBS.
 - ULTIMATE SINGLE SHEAR: 980 LBS.
- RECOMMENDED SEATING TORQUE: 19 TO 30 IN-LBS.
- PART CALLOUT EXAMPLE:
CA2223-10-8-12



INTERIM DOCUMENT REVISION		
Rev.	Date	DAF #
B1	10/21/10	94309

UNLESS OTHERWISE SPECIFIED:
TOLERANCE:
DECIMALS:
.XX ±.02
.XXX ±.010
ANGLE: ±2°

APPROVED DATE
1 MAY 91
REV. LETTER AND DATE
B 14 MAR 03
DAF NUMBER
DAF 58035

Fairchild FAIRCHILD FASTENERS
ENGINEERING CENTER
3000 WEST LOMITA BOULEVARD
TORRANCE, CA 90505

CAGE CODE **29372**
TRIDAIR PRODUCT

SCREW, CAPTIVE 100° HEAD,
HEX RECESS, .1900-32 SIZE

CA2223-10-(-)-(-)

SHEET 1 OF 1

542557