

Voi-Shan · Tridair · Screwcorp

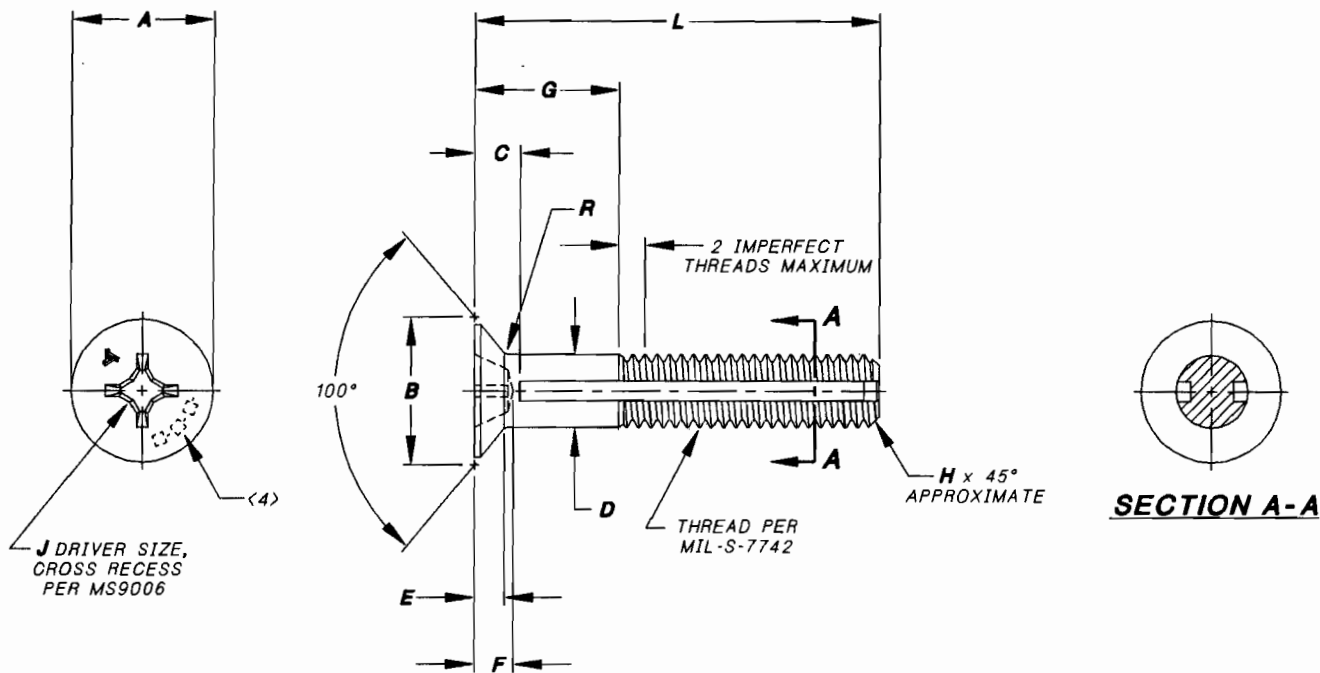


TABLE 1

FIRST DASH NUMBER	THREAD SIZE	A DIA MIN	B DIA	C MAX	D DIA	E REF	F MAX
-06	.138-32UNC-3A	.231	.279 .267	.095	.1375 .1365	.057	.086
-08	.164-32UNC-3A	.270	.332 .319	.100	.1635 .1625	.068	.101
-10	.190-32UNF-3A	.322	.385 .371	.100	.1895 .1885	.080	.116
-4	.250-28UNF-3A	.442	.507 .491	.140	.2495 .2485	.106	.135
-5	.3125-24UNF-3A	.568	.635 .617	.165	.3120 .3110	.133	.168
-6	.375-24UNF-3A	.694	.762 .742	.195	.3745 .3735	.160	.193

TABLE 2

FIRST DASH NUMBER	G GRIP	H	J SIZE	L LENGTH	R RAD	ULTIMATE TENSILE STRENGTH MIN <8>	ULTIMATE SHEAR STRENGTH MIN <8>
-06	SEE SHEETS 2,3 & 4	.030	#2	SEE SHEETS 2,3 & 4	.020 .010	530 LBS	320 LBS
-08		.030	#2		.020 .010	820 LBS	490 LBS
-10		.030	#2		.020 .010	1,210 LBS	720 LBS
-4		.035	#3		.020 .010	2,310 LBS	1,380 LBS
-5		.040	#4		.020 .010	3,740 LBS	2,240 LBS
-6		.040	#4		.020 .010	5,680 LBS	3,410 LBS

INTERIM DOCUMENT REVISION	Rev.	Date	DAF #
	D1	10/24/90	74301

UNLESS OTHERWISE SPECIFIED:
TOLERANCE:
DECIMALS:
.XX ±.02
.XXX ±.010
ANGLE: ±.2°

PROJECT NUMBER: 90-180 & 95-072

APPROVED DATE	11 OCT 90
REV. LETTER AND DATE	D 20 OCT 90
DAF NUMBER	DAF 49377

Fairchild FAIRCHILD FASTENERS
ENGINEERING CENTER
3000 WEST LOMITA BOULEVARD
TORRANCE, CA 90505

CAGE CODE **29372**
TRIDAIR PRODUCT

SCREW, CAPTIVE,
100° FLUSH HEAD, CRES

CA2221-()-()-()

SHEET 1 OF 4

SCANNED

Voi-Shan • Tridair • Screwcorp

TABLE 3

	G GRIP						L LENGTH	
	.125	.156	.187	.218	.250	.281		.312
.138-32 SIZE FIRST DASH NUMBER -08	-4-5						.312	
	-4-6						.375	
	-4-7	-5-7	-6-7	-7-7	-8-7		.437	
	-4-8	-5-8	-6-8	-7-8	-8-8	-9-8	.500	
	-4-9	-5-9	-6-9	-7-9	-8-9	-9-9	-10-9	.562
	-4-10	-5-10	-6-10	-7-10	-8-10	-9-10	-10-10	.625
	-4-11	-5-11	-6-11	-7-11	-8-11	-9-11	-10-11	.687
	-4-12	-5-12	-6-12	-7-12	-8-12	-9-12	-10-12	.750
	-4-13	-5-13	-6-13	-7-13	-8-13	-9-13	-10-13	.812
	-4-14	-5-14	-6-14	-7-14	-8-14	-9-14	-10-14	.875
	-4-15	-5-15	-6-15	-7-15	-8-15	-9-15	-10-15	.937
	-4-16	-5-16	-6-16	-7-16	-8-16	-9-16	-10-16	1.000
	-4-17	-5-17	-6-17	-7-17	-8-17	-9-17	-10-17	1.062
	-4-18	-5-18	-6-18	-7-18	-8-18	-9-18	-10-18	1.125
	-4-19	-5-19	-6-19	-7-19	-8-19	-9-19	-10-19	1.187
	-4-20	-5-20	-6-20	-7-20	-8-20	-9-20	-10-20	1.250
	-4-21	-5-21	-6-21	-7-21	-8-21	-9-21	-10-21	1.312
	-4-22	-5-22	-6-22	-7-22	-8-22	-9-22	-10-22	1.375
	-4-23	-5-23	-6-23	-7-23	-8-23	-9-23	-10-23	1.437
	-4-24	-5-24	-6-24	-7-24	-8-24	-9-24	-10-24	1.500
	-4-25	-5-25	-6-25	-7-25	-8-25	-9-25	-10-25	1.562
	-4-26	-5-26	-6-26	-7-26	-8-26	-9-26	-10-26	1.625
	-4-27	-5-27	-6-27	-7-27	-8-27	-9-27	-10-27	1.687
	-4-28	-5-28	-6-28	-7-28	-8-28	-9-28	-10-28	1.750

TABLE 4

	G GRIP						L LENGTH	
	.125	.156	.187	.218	.250	.281		.312
.164-32 SIZE FIRST DASH NUMBER -08	-4-7	-5-7	-6-7	-7-7	-8-7		.437	
	-4-8	-5-8	-6-8	-7-8	-8-8	-9-8	.500	
	-4-9	-5-9	-6-9	-7-9	-8-9	-9-9	-10-9	.562
	-4-10	-5-10	-6-10	-7-10	-8-10	-9-10	-10-10	.625
	-4-11	-5-11	-6-11	-7-11	-8-11	-9-11	-10-11	.687
	-4-12	-5-12	-6-12	-7-12	-8-12	-9-12	-10-12	.750
	-4-13	-5-13	-6-13	-7-13	-8-13	-9-13	-10-13	.812
	-4-14	-5-14	-6-14	-7-14	-8-14	-9-14	-10-14	.875
	-4-15	-5-15	-6-15	-7-15	-8-15	-9-15	-10-15	.937
	-4-16	-5-16	-6-16	-7-16	-8-16	-9-16	-10-16	1.000
	-4-17	-5-17	-6-17	-7-17	-8-17	-9-17	-10-17	1.062
	-4-18	-5-18	-6-18	-7-18	-8-18	-9-18	-10-18	1.125
	-4-19	-5-19	-6-19	-7-19	-8-19	-9-19	-10-19	1.187
	-4-20	-5-20	-6-20	-7-20	-8-20	-9-20	-10-20	1.250
	-4-21	-5-21	-6-21	-7-21	-8-21	-9-21	-10-21	1.312
	-4-22	-5-22	-6-22	-7-22	-8-22	-9-22	-10-22	1.375
	-4-23	-5-23	-6-23	-7-23	-8-23	-9-23	-10-23	1.437
	-4-24	-5-24	-6-24	-7-24	-8-24	-9-24	-10-24	1.500
	-4-25	-5-25	-6-25	-7-25	-8-25	-9-25	-10-25	1.562
	-4-26	-5-26	-6-26	-7-26	-8-26	-9-26	-10-26	1.625
	-4-27	-5-27	-6-27	-7-27	-8-27	-9-27	-10-27	1.687
	-4-28	-5-28	-6-28	-7-28	-8-28	-9-28	-10-28	1.750

INTERIM DOCUMENT REVISION	
Rev	DAF #
D1	94301
Date	
10/21/10	

PROJECT NUMBER: 90-180 & 95-072

UNLESS OTHERWISE SPECIFIED:
 TOLERANCE:
 DECIMALS:
 .XX 4.02
 .XXX 4.010
 ANGLE: ±2°

APPROVED DATE
11 OCT 90
REV. LETTER AND DATE
D 20 OCT 00 H.S.
DAF NUMBER
DAF 49577

Fairchild FAIRCHILD FASTENERS
 ENGINEERING CENTER
 3000 WEST LOMITA BOULEVARD
 TORRANCE, CA 90505

CAGE CODE **29372**
 TRIDAIR PRODUCT

SCREW, CAPTIVE,
 100° FLUSH HEAD, CRES

CA2221-()-()-()

SHEET 2 OF 4

Voi-Shan · Tridair · Screwcorp

TABLE 5

	G GRIP						L LENGTH
	.125	.156	.187	.218	.250	.281	
.180-32 SIZE FIRST DASH NUMBER -10	-4-7	-5-7	-6-7	-7-7	-8-7		.437
	-4-8	-5-8	-6-8	-7-8	-8-8	-9-8	.500
	-4-9	-5-9	-6-9	-7-9	-8-9	-9-9	.562
	-4-10	-5-10	-6-10	-7-10	-8-10	-9-10	.625
	-4-11	-5-11	-6-11	-7-11	-8-11	-9-11	.687
	-4-12	-5-12	-6-12	-7-12	-8-12	-9-12	.750
	-4-13	-5-13	-6-13	-7-13	-8-13	-9-13	.812
	-4-14	-5-14	-6-14	-7-14	-8-14	-9-14	.875
	-4-15	-5-15	-6-15	-7-15	-8-15	-9-15	.937
	-4-16	-5-16	-6-16	-7-16	-8-16	-9-16	1.000
	-4-17	-5-17	-6-17	-7-17	-8-17	-9-17	1.062
	-4-18	-5-18	-6-18	-7-18	-8-18	-9-18	1.125
	-4-19	-5-19	-6-19	-7-19	-8-19	-9-19	1.187
	-4-20	-5-20	-6-20	-7-20	-8-20	-9-20	1.250
	-4-21	-5-21	-6-21	-7-21	-8-21	-9-21	1.312
	-4-22	-5-22	-6-22	-7-22	-8-22	-9-22	1.375
	-4-23	-5-23	-6-23	-7-23	-8-23	-9-23	1.437
	-4-24	-5-24	-6-24	-7-24	-8-24	-9-24	1.500
	-4-25	-5-25	-6-25	-7-25	-8-25	-9-25	1.562
	-4-26	-5-26	-6-26	-7-26	-8-26	-9-26	1.625
-4-27	-5-27	-6-27	-7-27	-8-27	-9-27	1.687	
-4-28	-5-28	-6-28	-7-28	-8-28	-9-28	1.750	

TABLE 6

	G GRIP						L LENGTH
	.156	.187	.218	.250	.281	.312	
.250-28 SIZE FIRST DASH NUMBER -4	-5-7	-6-7	-7-7	-8-7			.437
	-5-8	-6-8	-7-8	-8-8	-9-8		.500
	-5-9	-6-9	-7-9	-8-9	-9-9	-10-9	.562
	-5-10	-6-10	-7-10	-8-10	-9-10	-10-10	.625
	-5-11	-6-11	-7-11	-8-11	-9-11	-10-11	.687
	-5-12	-6-12	-7-12	-8-12	-9-12	-10-12	.750
	-5-13	-6-13	-7-13	-8-13	-9-13	-10-13	.812
	-5-14	-6-14	-7-14	-8-14	-9-14	-10-14	.875
	-5-15	-6-15	-7-15	-8-15	-9-15	-10-15	.937
	-5-16	-6-16	-7-16	-8-16	-9-16	-10-16	1.000
	-5-17	-6-17	-7-17	-8-17	-9-17	-10-17	1.062
	-5-18	-6-18	-7-18	-8-18	-9-18	-10-18	1.125
	-5-19	-6-19	-7-19	-8-19	-9-19	-10-19	1.187
	-5-20	-6-20	-7-20	-8-20	-9-20	-10-20	1.250
	-5-21	-6-21	-7-21	-8-21	-9-21	-10-21	1.312
	-5-22	-6-22	-7-22	-8-22	-9-22	-10-22	1.375
	-5-23	-6-23	-7-23	-8-23	-9-23	-10-23	1.437
	-5-24	-6-24	-7-24	-8-24	-9-24	-10-24	1.500
	-5-25	-6-25	-7-25	-8-25	-9-25	-10-25	1.562
	-5-26	-6-26	-7-26	-8-26	-9-26	-10-26	1.625
-5-27	-6-27	-7-27	-8-27	-9-27	-10-27	1.687	
-5-28	-6-28	-7-28	-8-28	-9-28	-10-28	1.750	

INTERIM DOCUMENT REVISION	
Rev.	DAF #
DI	94301
Date	10/21/10

UNLESS OTHERWISE SPECIFIED:
 TOLERANCE:
 DECIMALS:
 .XX ±.02
 .XXX ±.010
 ANGLE: ±2°

APPROVED DATE
 11 OCT 90

REV. LETTER AND DATE
~~D~~ 20 OCT 00

DAF NUMBER
~~DAF 49377~~

Fairchild FAIRCHILD FASTENERS
 ENGINEERING CENTER
 3000 WEST LOMITA BOULEVARD
 TORRANCE, CA 90505

CAGE CODE **29372**
 TRIDAIR PRODUCT

SCREW, CAPTIVE,
 100° FLUSH HEAD, CRES

CA2221-()-()-()

SHEET 3 OF 4

PROJECT NUMBER: 90-180 & 95-072

S1369

TABLE 7

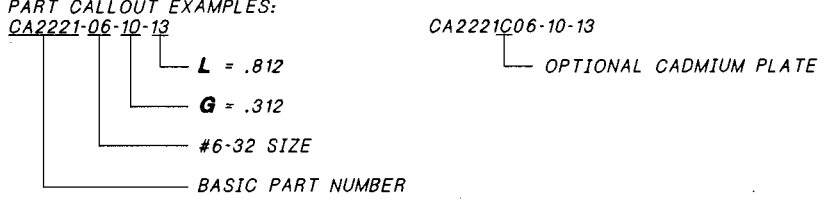
	G GRIP					L LENGTH
	.187	.218	.250	.281	.312	
.3125-24 SIZE FIRST DASH NUMBER - 6	-6-7	-7-7				.437
	-6-8	-7-8	-8-8	-9-8		.500
	-6-9	-7-9	-8-9	-9-9	-10-9	.562
	-6-10	-7-10	-8-10	-9-10	-10-10	.625
	-6-11	-7-11	-8-11	-9-11	-10-11	.687
	-6-12	-7-12	-8-12	-9-12	-10-12	.750
	-6-13	-7-13	-8-13	-9-13	-10-13	.812
	-6-14	-7-14	-8-14	-9-14	-10-14	.875
	-6-15	-7-15	-8-15	-9-15	-10-15	.937
	-6-16	-7-16	-8-16	-9-16	-10-16	1.000
	-6-17	-7-17	-8-17	-9-17	-10-17	1.062
	-6-18	-7-18	-8-18	-9-18	-10-18	1.125
	-6-19	-7-19	-8-19	-9-19	-10-19	1.187
	-6-20	-7-20	-8-20	-9-20	-10-20	1.250
	-6-21	-7-21	-8-21	-9-21	-10-21	1.312
	-6-22	-7-22	-8-22	-9-22	-10-22	1.375
	-6-23	-7-23	-8-23	-9-23	-10-23	1.437
	-6-24	-7-24	-8-24	-9-24	-10-24	1.500
	-6-25	-7-25	-8-25	-9-25	-10-25	1.562
	-6-26	-7-26	-8-26	-9-26	-10-26	1.625
-6-27	-7-27	-8-27	-9-27	-10-27	1.687	
-6-28	-7-28	-8-28	-9-28	-10-28	1.750	

TABLE 8

	G GRIP				L LENGTH
	.218	.250	.281	.312	
.375-24 SIZE FIRST DASH NUMBER - 6	-7-7				.437
	-7-8	-8-8	-9-8		.500
	-7-9	-8-9	-9-9	-10-9	.562
	-7-10	-8-10	-9-10	-10-10	.625
	-7-11	-8-11	-9-11	-10-11	.687
	-7-12	-8-12	-9-12	-10-12	.750
	-7-13	-8-13	-9-13	-10-13	.812
	-7-14	-8-14	-9-14	-10-14	.875
	-7-15	-8-15	-9-15	-10-15	.937
	-7-16	-8-16	-9-16	-10-16	1.000
	-7-17	-8-17	-9-17	-10-17	1.062
	-7-18	-8-18	-9-18	-10-18	1.125
	-7-19	-8-19	-9-19	-10-19	1.187
	-7-20	-8-20	-9-20	-10-20	1.250
	-7-21	-8-21	-9-21	-10-21	1.312
	-7-22	-8-22	-9-22	-10-22	1.375
	-7-23	-8-23	-9-23	-10-23	1.437
	-7-24	-8-24	-9-24	-10-24	1.500
	-7-25	-8-25	-9-25	-10-25	1.562
	-7-26	-8-26	-9-26	-10-26	1.625
-7-27	-8-27	-9-27	-10-27	1.687	
-7-28	-8-28	-9-28	-10-28	1.750	

NOTES; UNLESS OTHERWISE SPECIFIED:

1. MATERIAL: 18-8 TYPE 300 SERIES CRES PER AMS-QQ-S-763.
2. FINISH:
 - 2.1 STANDARD - PASSIVATE PER AMS-QQ-P-35.
 - 2.2 OPTIONAL - CADMIUM PLATE PER AMS-QQ-P-416, TYPE II, CLASS 2, DESIGNATED BY LETTER "C" IN LIEU OF DASH AFTER BASIC PART NUMBER (SEE EXAMPLE, NOTE 10).
3. HEAD: 100° FLUSH HEAD PER NAS1102.
- <4> PART MARKING: HEAD OF SCREW TO BE MARKED WITH TRIDAIR LOGO AND FIRST, SECOND AND THIRD DASH NUMBERS DEPRESSED .010 MAXIMUM DEEP.
5. SCREW TO BE USED WITH CA2210-()R RETAINING RING TO CAPTIVATE TO PANEL.
6. PANEL PREPARATION: REFER TO CAL-STD-0260.
7. INSTALLATION: REFER TO TRIDAIR DRAWING NUMBER CA2210T-().
- <8> TENSILE AND SHEAR STRENGTHS ARE CALCULATED VALUES.
9. PART CALLOUT EXAMPLES:



INTERIM DOCUMENT REVISION		
Rev.	Date	DAF #
D1	10/21/10	94301

PROJECT NUMBER: 90-180 & 95-072

UNLESS OTHERWISE SPECIFIED:	
TOLERANCE:	
DECIMALS:	
.XX	±.02
.XXX	±.010
ANGLE:	±2°
APPROVED DATE	
11 OCT 90	
REV. LETTER AND DATE	
D 20 OCT 00	
DAF NUMBER	
DAF 49377	

Fairchild FAIRCHILD FASTENERS
 ENGINEERING CENTER
 3000 WEST LOMITA BOULEVARD
 TORRANCE, CA 90505

CAGE CODE **29372**
 TRIDAIR PRODUCT

**SCREW, CAPTIVE,
 100° FLUSH HEAD, CRES**

CA2221-()-()-()