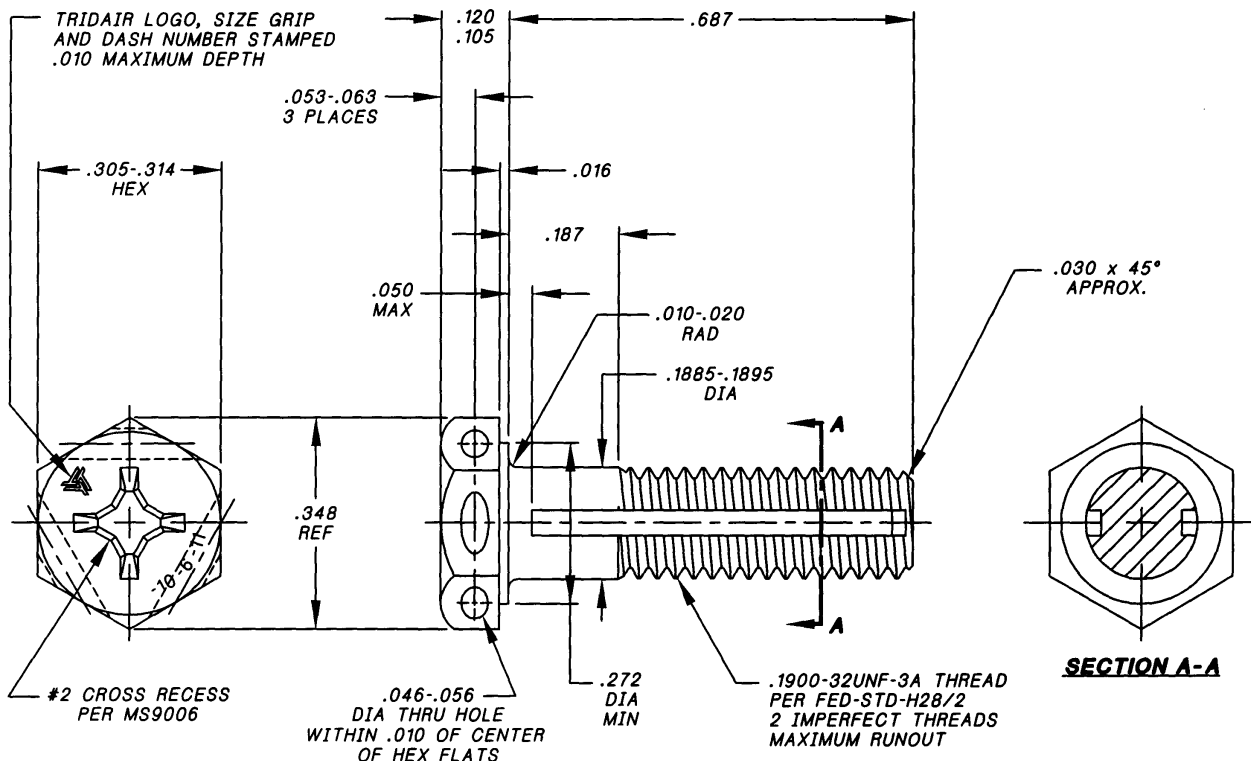


Camloc . Delron . Deutsch . Huck . K-Fast . Kaynar . Microdot . RAM . Rosan . Screwcorp . Tridair . Voi-Shan

MANUFACTURE OF THE PROPRIETARY PARTS SHOWN HERE WITHOUT WRITTEN CONSENT IS ABSOLUTELY PROHIBITED

THIS DRAWING EMBODIES A CONFIDENTIAL, PROPRIETARY DESIGN & ALL DESIGN, MANUFACTURING PRODUCTION, USE & SALE RIGHTS REGARDING SAME ARE EXPRESSLY RESERVED.



NOTES; UNLESS OTHERWISE SPECIFIED:

1. MATERIAL:
  - 1.1 300 SERIES CRES PER AMS-QQ-S-763.
2. FINISH:
  - 2.1 PASSIVATED PER AMS-QQ-P-35 OR AMS2700.
3. STRENGTH (CALCULATED):
  - 3.1 MINIMUM ULTIMATE TENSILE: 1,210 LBS.
  - 3.2 MINIMUM ULTIMATE SINGLE SHEAR: 720 LBS.
4. SCREW TO BE USED WITH A CA2210-10R RETAINING RING TO CAPTIVATE TO PANEL. SCREW MAY ALSO BE USED WITH A CA2210-10W WASHER OR CA2210-10S SPACER AS AN ALTERNATE TO COUNTERBORING THE TOP PANEL OR SUBSTRUCTURE FOR THE RETAINING RING.
5. PANEL PREPARATION: REFER TO CAL-STD-0260 DRAWING.
6. INSTALLATION REFER TO DRAWING NUMBER CA2210T-( ) DRAWING.
7. PART CALLOUT:
  - 7.1 CA2216D-10-6-11

INDICATES .687 LENGTH

INDICATE .187 GRIP

.1900-32 SIZE

DRILLED HEAD

BASIC PART NUMBER

INTERIM DOCUMENT REVISION		
Rev.	Date	DAF #
C1	10/21/10	94301

INTERIM DOCUMENT REVISION		
Rev.	Date	DAF#
C2	10/8/2018	117431

APPROVED DATE 26 AUG 91	CURRENT DESIGN ACTIVITY: <b>ARCONIC</b> Arconic Fastening Systems	TITLE: <b>SCREW, HEX HEAD, DRILLED. CAPTIVE, CRES .1900-32 SIZE</b>	CURRENT DESIGN ACTIVITY: <b>CAGE CODE: 29372</b>
REV. LETTER AND DATE <del>23 MAY 00</del>	<b>TRIDAIR PRODUCTS</b> 3000 W. LOMITA BLVD. TORRANCE, CA 90505	UNLESS OTHERWISE SPECIFIED DIMENSIONS ARE IN INCHES & ASME Y14.5M TOLERANCES:	<b>SALES DRAWING NO.</b>
DAF NUMBER <del>DAF 73333</del>		ANGLES = ± 3° DECIMALS .XX = ± .02 .XXX = ± .010	<b>CA2216D-10-6-11</b>
PROJECT NUMBER: 92-042			SHEET 1 OF 1