

Voi-Shan · Tridair · Screwcorp

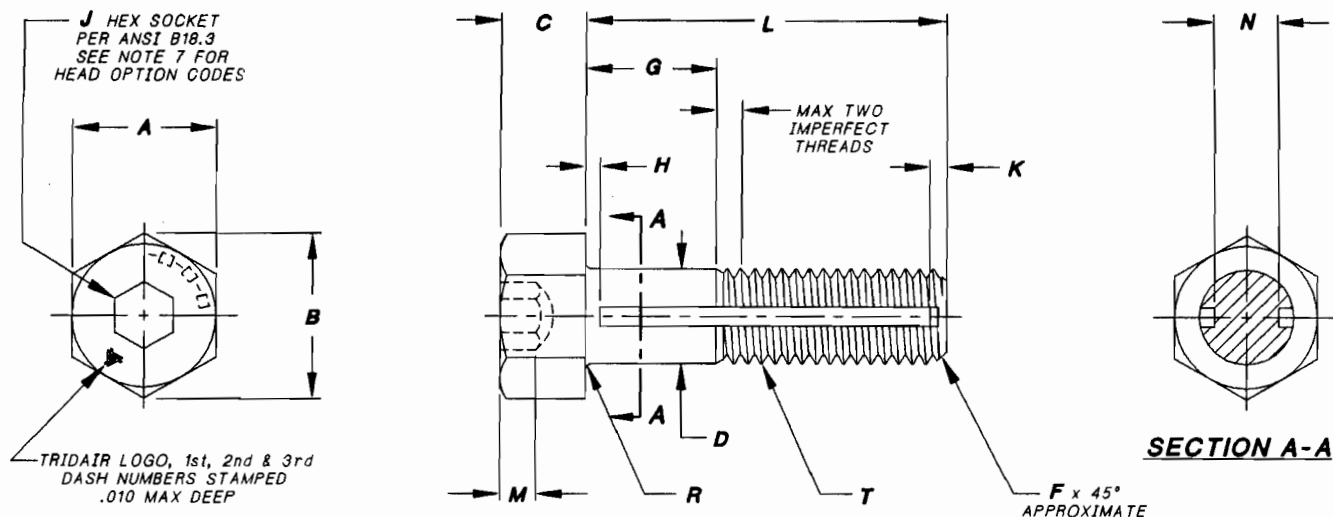


FIGURE 1 - HEX SOCKET RECESS

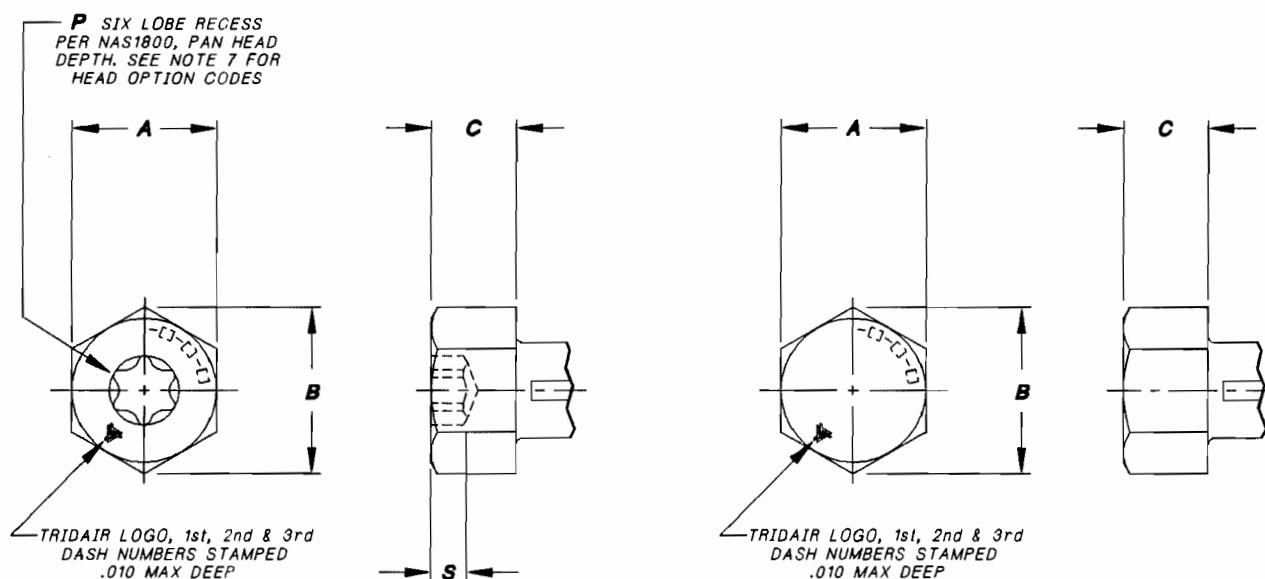


FIGURE 2 - TORX RECESS

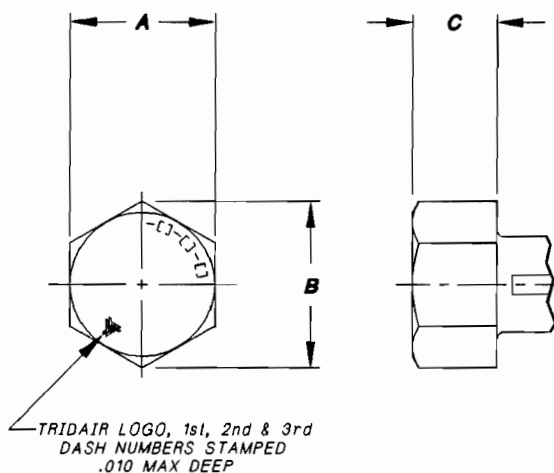


FIGURE 3 - NO RECESS

TABLE 1

NORMAL THREAD SIZE	T THREAD PER MIL-S-8879	A HEX	B REF	C	D DIA	F	H MAX	J	K	M MIN	N MIN	P RECESS NUMBER	R RAD	S MIN	ULTIMATE TENSILE STRENGTH MIN (CALCULATED) <10>	ULTIMATE SHEAR STRENGTH MIN (CALCULATED) <10>
-4	.2500-28UNJF-3A	.375 .367	.410	.250 .244	.2495 .2485	.035	.050	.188	.040	.120	.162	T30	.020 .010	.054	6,283 LBS	4,936 LBS

SCANNED

PROJECT NUMBER: 02-059

UNLESS OTHERWISE SPECIFIED:  
TOLERANCE:  
DECIMALS:  
.XX ±.02  
.XXX ±.010  
ANGLE: ±2°

INTERIM DOCUMENT REVISION		
Rev.	Date	DAF #
A1	10/24/10	9430

APPROVED DATE  
20 MAR 02 *U.S.*  
REV. LETTER AND DATE  
~~A~~ 6 MAY 02  
DAF NUMBER  
~~DAF 55000~~

**Fairchild** FAIRCHILD FASTENERS  
ENGINEERING CENTER  
3000 WEST LOMITA BOULEVARD  
TORRANCE, CA 90505

CAGE CODE **29372**  
TRIDAIR PRODUCT

SCREW, CAPTIVE, HEX HEAD,  
INCONEL 718

CA22073-4-(-)-()

SHEET 1 OF 3

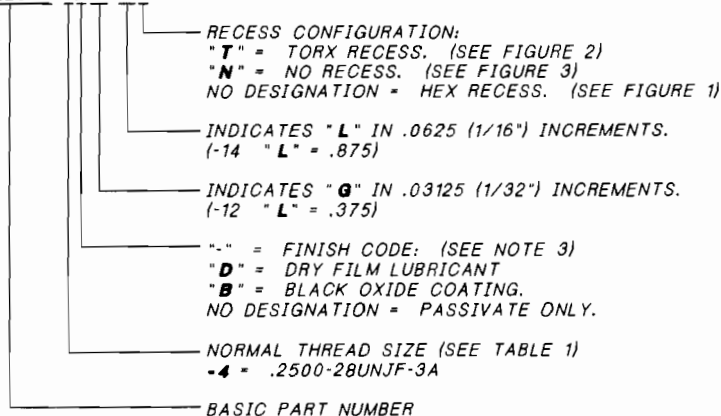
Voi-Shan · Tridair · Screwcorp

NOTES, UNLESS OTHERWISE SPECIFIED:

1. MATERIAL:
  - 1.1 INCONEL 718 PER AMS5662.
2. HEAT TREAT:
  - 2.1 220 KSI MINIMUM TENSILE.
3. FINISH:
  - 3.1 PASSIVATE PER AMS-QQ-P-35.
  - 3.2 OPTIONAL: DRY FILM LUBE PER AS5272, DESIGNATED BY LETTER "D" (DIMENSIONS APPLY BEFORE LUBE).
  - 3.3 OPTIONAL: BLACK OXIDE COATING PER MIL-DTL-13924, DESIGNATED BY LETTER "B".
4. THESE SCREWS ARE DESIGNED TO BE USED WITH CA2210-( )R RETAINING RING TO CAPTIVATE TO PANEL.
5. PANEL PREPARATION PER FAIRCHILD'S CAL-STD-0260.
6. INSTALLATION PROCEDURE PER FAIRCHILD'S SALES DRAWING NUMBER CA2210T-( ).

8. LONGER GRIPS (IN 1/32" INCREMENTS) AND LONGER LENGTHS (IN 1/16" INCREMENTS) THAN ARE SHOWN IN TABLE 2 MAY BE ORDERED.

9. STANDARD PARTS CALLOUT EXAMPLES COVERING DASH NUMBERS SHOWN IN TABLE 2 :  
CA22073-4D12-14T



<10> TENSILE AND SHEAR STRENGTHS ARE CALCULATED WITH A .15 SAFETY FACTOR.

11. APPLIES TO PART WITH GRIP LENGTH ("G") OF 1-TIMES "D" DIAMETER AND LONGER.

SCANNED

PROJECT NUMBER: 02-059

UNLESS OTHERWISE SPECIFIED:	
TOLERANCE: DECIMALS:	
.XX	±.02
.XXX	±.010
ANGLE: ±2°	
APPROVED DATE	20 MAR 02 U.S.
REV. LETTER AND DATE	<del>A</del> 0 MAY 02
DAF NUMBER	<del>DAF 55000</del>

INTERIM DOCUMENT REVISION		
Rev.	Date	DAF #
A1	10/21/10	94301

**Fairchild** FAIRCHILD FASTENERS  
 ENGINEERING CENTER  
 3000 WEST LOMITA BOULEVARD  
 TORRANCE, CA 90505

CAGE CODE **29372**  
 TRIDAIR PRODUCT

SCREW, CAPTIVE, HEX HEAD,  
 INCONEL 718

CA22073-4-()-()

SHEET 2 OF 3

Voi-Shan · Tridair · Screwcorp

**TABLE 2**

	Ø GRIP									L LENGTH
	.062	.094	.125	.156	.187	.218	.250	.281	.312	
-2-7	-3-7	-4-7	-5-7	-6-7	-7-7	-8-7	-9-7			.437
-2-8	-3-8	-4-8	-5-8	-6-8	-7-8	-8-8	-9-8	-10-8		.500
-2-9	-3-9	-4-9	-5-9	-6-9	-7-9	-8-9	-9-9	-10-9		.562
-2-10	-3-10	-4-10	-5-10	-6-10	-7-10	-8-10	-9-10	-10-10		.625
-2-11	-3-11	-4-11	-5-11	-6-11	-7-11	-8-11	-9-11	-10-11		.687
-2-12	-3-12	-4-12	-5-12	-6-12	-7-12	-8-12	-9-12	-10-12		.750
-2-13	-3-13	-4-13	-5-13	-6-13	-7-13	-8-13	-9-13	-10-13		.812
-2-14	-3-14	-4-14	-5-14	-6-14	-7-14	-8-14	-9-14	-10-14		.875
-2-15	-3-15	-4-15	-5-15	-6-15	-7-15	-8-15	-9-15	-10-15		.937
-2-16	-3-16	-4-16	-5-16	-6-16	-7-16	-8-16	-9-16	-10-16		1.000
-2-17	-3-17	-4-17	-5-17	-6-17	-7-17	-8-17	-9-17	-10-17		1.062
-2-18	-3-18	-4-18	-5-18	-6-18	-7-18	-8-18	-9-18	-10-18		1.125
-2-19	-3-19	-4-19	-5-19	-6-19	-7-19	-8-19	-9-19	-10-19		1.187
-2-20	-3-20	-4-20	-5-20	-6-20	-7-20	-8-20	-9-20	-10-20		1.250
-2-21	-3-21	-4-21	-5-21	-6-21	-7-21	-8-21	-9-21	-10-21		1.312
-2-22	-3-22	-4-22	-5-22	-6-22	-7-22	-8-22	-9-22	-10-22		1.375
-2-23	-3-23	-4-23	-5-23	-6-23	-7-23	-8-23	-9-23	-10-23		1.437
-2-24	-3-24	-4-24	-5-24	-6-24	-7-24	-8-24	-9-24	-10-24		1.500
-2-25	-3-25	-4-25	-5-25	-6-25	-7-25	-8-25	-9-25	-10-25		1.562
-2-26	-3-26	-4-26	-5-26	-6-26	-7-26	-8-26	-9-26	-10-26		1.625
-2-27	-3-27	-4-27	-5-27	-6-27	-7-27	-8-27	-9-27	-10-27		1.687
-2-28	-3-28	-4-28	-5-28	-6-28	-7-28	-8-28	-9-28	-10-28		1.750

**.250-28 SIZE FIRST DASH NO. -4**

**SCANNED**

PROJECT NUMBER: 02-059

UNLESS OTHERWISE SPECIFIED:  
 TOLERANCE:  
 DECIMALS:  
 .XX ±.02  
 .XXX ±.010  
 ANGLE: ±2°

INTERIM DOCUMENT REVISION		
Rev.	Date	DAF #
A1	10/21/10	94301

APPROVED DATE	20 MAR 02 <i>u-s</i>
REV. LETTER AND DATE	<del>A</del> 6 MAY 02
DAF NUMBER	<del>DAF 33000</del>

**Fairchild FAIRCHILD FASTENERS**  
**ENGINEERING CENTER**  
 3000 WEST LOMITA BOULEVARD  
 TORRANCE, CA 90505

CAGE CODE **29372**  
 TRIDAIR PRODUCT

**SCREW, CAPTIVE, HEX HEAD,  
 INCONEL 718**

**CA22073-4-()-()**  
 SHEET 3 OF 3