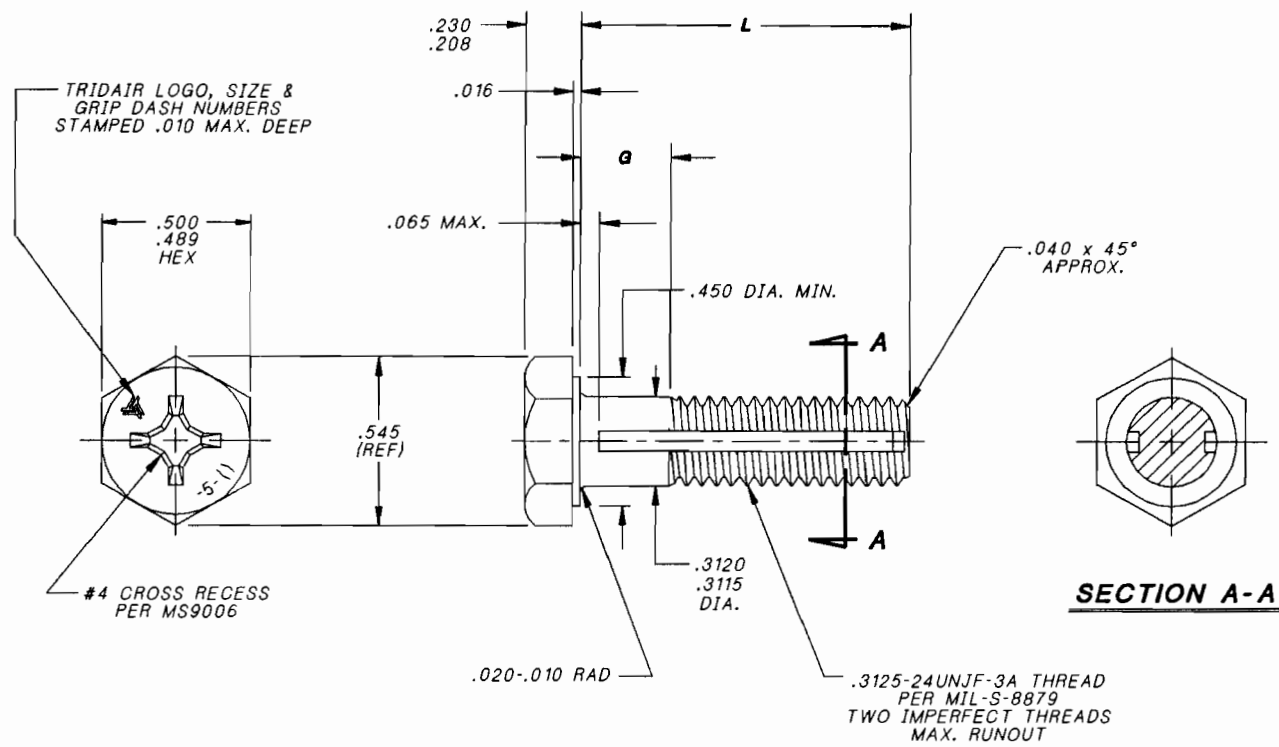


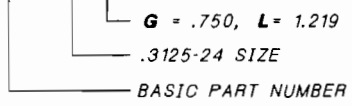
Voi-Shan • Tridair • Screwcorp



2nd DASH NO.	G GRIP ±.010	L LENGTH ±.015	2nd DASH NO.	G GRIP ±.010	L LENGTH ±.015
-1	.062	.531	-25	1.562	2.031
-2	.125	.594	-26	1.625	2.094
-3	.188	.657	-27	1.688	2.157
-4	.250	.719	-28	1.750	2.219
-5	.312	.781	-29	1.812	2.281
-6	.375	.844	-30	1.875	2.344
-7	.438	.907	-31	1.938	2.407
-8	.500	.969	-32	2.000	2.469
-9	.562	1.031	-34	2.125	2.594
-10	.625	1.094	-36	2.250	2.719
-11	.688	1.157	-38	2.375	2.844
-12	.750	1.219	-40	2.500	2.969
-13	.812	1.281	-42	2.625	3.094
-14	.875	1.344	-44	2.750	3.219
-15	.938	1.407	-46	2.875	3.344
-16	1.000	1.469	-48	3.000	3.469
-17	1.062	1.531	-50	3.125	3.594
-18	1.125	1.594	-52	3.250	3.719
-19	1.188	1.657	-54	3.375	3.844
-20	1.250	1.719	-56	3.500	3.969
-21	1.312	1.781	-58	3.625	4.094
-22	1.375	1.844	-60	3.750	4.219
-23	1.438	1.907	-62	3.875	4.344
-24	1.500	1.969	-64	4.000	4.469

NOTES:

- MATERIAL: A-286 CRES PER AMS5731, AMS5737.
- HEAT TREAT: 160,000 PSI MIN. TENSILE.
- FINISH: PASSIVATED PER AMS-QQ-P-35.
- SCREW TO BE USED WITH CA2210-5R RETAINING RING TO CAPTIVATE TO PANEL.
- PANEL PREPARATION: REFER TO CAL-STD-0260 DRAWING.
- INSTALLATION: REFER TO CA2210T-() DRAWING.
- SCREW MINIMUM TENSILE STRENGTH: 7480 LBS.
- RECOMMENDED SEATING TORQUE: 185-285 IN/LBS.
- QUALITY CONFORMANCE INSPECTION:
- 1 ULTIMATE TENSILE STRENGTH TESTING PER MIL-STD-1312, TEST B.
- 2 FLUORESCENT PENETRANT INSPECTION PER ASTM-E-1417 FOR DISCONTINUITY REQUIREMENTS OF NAS4003.
- 3 INSPECTION LOT SAMPLING PER NAS4003 AS APPLICABLE TO TENSILE TESTING AND DISCONTINUITY EXAMINATION.
- PART CALLOUT EXAMPLE:
CA22066-5-12



UNLESS OTHERWISE SPECIFIED:

TOLERANCE:
DECIMALS:
.XX ±.02
.XXX ±.010
ANGLE: ±2°

APPROVED DATE
22 FEB 99

REV. LETTER AND DATE
A 17 MAR 99

DAF NUMBER
DAF 44146

Fairchild FAIRCHILD FASTENERS
ENGINEERING CENTER
3000 WEST LOMITA BOULEVARD
TORRANCE, CA 90505

SCREW, HEX HEAD,
CAPTIVE, CRES, #5/16-24 SIZE

INTERIM DOCUMENT REVISION		
Rev.	Date	DAF #
A1	10/21/10	94301

CAGE CODE 29372
TRIDAIR PRODUCT

CA22066-5-()

SHEET 1 OF 1

SCANNED