

Voi-Shan • Tridair • Screwcorp

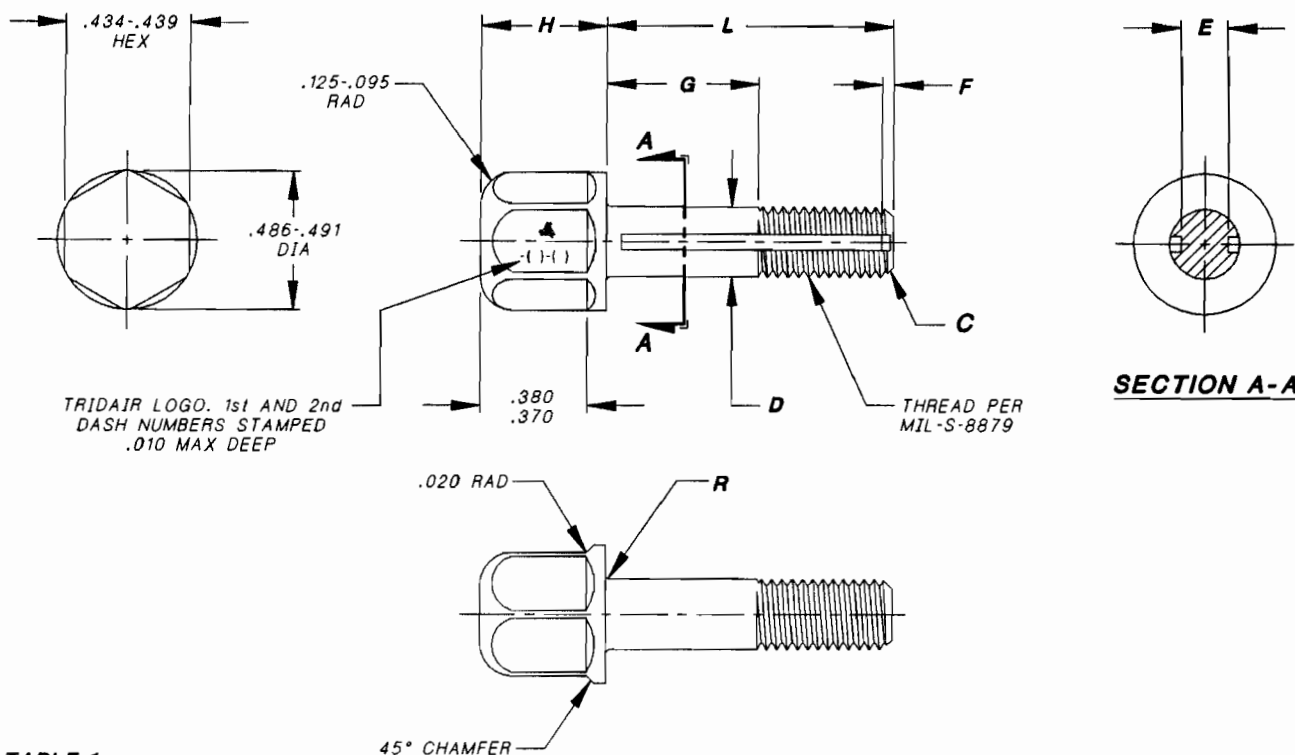


TABLE 1

FIRST DASH NUMBER	THREAD SIZE UNJF-3A	C x 45° APPROX.	D DIA	E MIN	F	H	R RAD	TENSILE STRENGTH LBS. MIN	SHEAR STRENGTH LBS. MIN
-3	.1900-32	.030	.1895 .1885	.108	.040	.440	.020 .010	2,425	1,450
-4	.2500-28	.035	.2495 .2485	.162	.040	.440	.020 .010	4,625	2,775

NOTES, UNLESS OTHERWISE SPECIFIED:

- MATERIAL: A286 CRES PER AMS5731 OR AMS5737.
- HEAT TREAT: 160 KSI MINIMUM TENSILE.
- FINISH: PASSIVATED PER QQ-P-35.
- THESE SCREWS ARE DESIGNED TO BE USED WITH CA2210-( ) IR RETAINING RING TO CAPTIVATE TO PANEL.
- PANEL PREPARATION: REFER TO DRAWING NUMBER CAL-STD-0260.
- REFER TO DRAWING NUMBER CA2210T-( ) FOR INSTALLATION PROCEDURE AND REQUIRED TOOL.
- TOLERANCES, UNLESS OTHERWISE SPECIFIED: DECIMALS .XX ±.02, .XXX ±.010, ANGLES ±2° SURFACE FINISH 125 MICROINCHES Ra.
- UNLESS OTHERWISE SPECIFIED, QUALITY CONFORMANCE AND INSPECTION REQUIREMENTS PER NAS4003 EXCEPT THE FOLLOWING:
  - TENSILE AND SHEAR STRENGTH VALUES ARE PER TABLE 1 HEREIN.
  - FATIGUE TEST IS NOT REQUIRED.

10. PART CALLOUT EXAMPLE:

**CA22053-3-4-16**

INDICATES "L" IN .0625 (1/16) INCREMENTS. (-16 "L" = 1.000)

INDICATES "G" IN .0312 (1/32) INCREMENTS. (-4 "G" = .125)

.1900-32 THREAD SIZE

BASIC PART NUMBER

INTERIM DOCUMENT REVISION		
Rev.	Date	DAF #
B1	10/21/10	94301

PROJECT NUMBER: 96-135, 96-154 AND 97-013

SCANNED

APPROVED DATE 30 APR 96	<b>Fairchild AEROSPACE FASTENER DIVISION</b> ENGINEERING CENTER 3000 WEST LOMITA BOULEVARD TORRANCE, CA 90505	CAGE CODE <b>29372</b> TRIDAIR PRODUCT
REV. LETTER AND DATE <del>B</del> 0 SEP 90		CAPTIVE SCREW, EVA HEX HEAD A286 CRES, 160 KSI
ECN NUMBER 104 ECN 33181		

Voi-Shan • Tridair • Screwcorp

TABLE 2

.1900-32 SIZE FIRST DASH NO. -3	G GRIP									L LENGTH
	.062	.094	.125	.156	.187	.218	.250	.281	.312	
-2-9	-3-9	-4-9	-5-9	-6-9	-7-9	-8-9	-9-9	-10-9	.562	
-2-10	-3-10	-4-10	-5-10	-6-10	-7-10	-8-10	-9-10	-10-10	.625	
-2-11	-3-11	-4-11	-5-11	-6-11	-7-11	-8-11	-9-11	-10-11	.687	
-2-12	-3-12	-4-12	-5-12	-6-12	-7-12	-8-12	-9-12	-10-12	.750	
-2-13	-3-13	-4-13	-5-13	-6-13	-7-13	-8-13	-9-13	-10-13	.812	
-2-14	-3-14	-4-14	-5-14	-6-14	-7-14	-8-14	-9-14	-10-14	.875	
-2-15	-3-15	-4-15	-5-15	-6-15	-7-15	-8-15	-9-15	-10-15	.937	
-2-16	-3-16	-4-16	-5-16	-6-16	-7-16	-8-16	-9-16	-10-16	1.000	
-2-17	-3-17	-4-17	-5-17	-6-17	-7-17	-8-17	-9-17	-10-17	1.062	
-2-18	-3-18	-4-18	-5-18	-6-18	-7-18	-8-18	-9-18	-10-18	1.125	
-2-19	-3-19	-4-19	-5-19	-6-19	-7-19	-8-19	-9-19	-10-19	1.187	
-2-20	-3-20	-4-20	-5-20	-6-20	-7-20	-8-20	-9-20	-10-20	1.250	
-2-21	-3-21	-4-21	-5-21	-6-21	-7-21	-8-21	-9-21	-10-21	1.312	
-2-22	-3-22	-4-22	-5-22	-6-22	-7-22	-8-22	-9-22	-10-22	1.375	
-2-23	-3-23	-4-23	-5-23	-6-23	-7-23	-8-23	-9-23	-10-23	1.437	
-2-24	-3-24	-4-24	-5-24	-6-24	-7-24	-8-24	-9-24	-10-24	1.500	
-2-25	-3-25	-4-25	-5-25	-6-25	-7-25	-8-25	-9-25	-10-25	1.562	
-2-26	-3-26	-4-26	-5-26	-6-26	-7-26	-8-26	-9-26	-10-26	1.625	
-2-27	-3-27	-4-27	-5-27	-6-27	-7-27	-8-27	-9-27	-10-27	1.687	
-2-28	-3-28	-4-28	-5-28	-6-28	-7-28	-8-28	-9-28	-10-28	1.750	

TABLE 3

.2500-28 SIZE FIRST DASH NO. -4	G GRIP										L LENGTH
	.062	.094	.125	.156	.187	.218	.250	.281	.312	.375	
-2-10	-3-10	-4-10	-5-10	-6-10	-7-10	-8-10	-9-10	-10-10	-12-10		.625
-2-11	-3-11	-4-11	-5-11	-6-11	-7-11	-8-11	-9-11	-10-11	-12-11	-14-11	.687
-2-12	-3-12	-4-12	-5-12	-6-12	-7-12	-8-12	-9-12	-10-12	-12-12	-14-12	.750
-2-13	-3-13	-4-13	-5-13	-6-13	-7-13	-8-13	-9-13	-10-13	-12-13	-14-13	.812
-2-14	-3-14	-4-14	-5-14	-6-14	-7-14	-8-14	-9-14	-10-14	-12-14	-14-14	.875
-2-15	-3-15	-4-15	-5-15	-6-15	-7-15	-8-15	-9-15	-10-15	-12-15	-14-15	.937
-2-16	-3-16	-4-16	-5-16	-6-16	-7-16	-8-16	-9-16	-10-16	-12-16	-14-16	1.000
-2-17	-3-17	-4-17	-5-17	-6-17	-7-17	-8-17	-9-17	-10-17	-12-17	-14-17	1.062
-2-18	-3-18	-4-18	-5-18	-6-18	-7-18	-8-18	-9-18	-10-18	-12-18	-14-18	1.125
-2-19	-3-19	-4-19	-5-19	-6-19	-7-19	-8-19	-9-19	-10-19	-12-19	-14-19	1.187
-2-20	-3-20	-4-20	-5-20	-6-20	-7-20	-8-20	-9-20	-10-20	-12-20	-14-20	1.250
-2-21	-3-21	-4-21	-5-21	-6-21	-7-21	-8-21	-9-21	-10-21	-12-21	-14-21	1.312
-2-22	-3-22	-4-22	-5-22	-6-22	-7-22	-8-22	-9-22	-10-22	-12-22	-14-22	1.375
-2-23	-3-23	-4-23	-5-23	-6-23	-7-23	-8-23	-9-23	-10-23	-12-23	-14-23	1.437
-2-24	-3-24	-4-24	-5-24	-6-24	-7-24	-8-24	-9-24	-10-24	-12-24	-14-24	1.500
-2-25	-3-25	-4-25	-5-25	-6-25	-7-25	-8-25	-9-25	-10-25	-12-25	-14-25	1.562
-2-26	-3-26	-4-26	-5-26	-6-26	-7-26	-8-26	-9-26	-10-26	-12-26	-14-26	1.625
-2-27	-3-27	-4-27	-5-27	-6-27	-7-27	-8-27	-9-27	-10-27	-12-27	-14-27	1.687
-2-28	-3-28	-4-28	-5-28	-6-28	-7-28	-8-28	-9-28	-10-28	-12-28	-14-28	1.750

INTERIM DOCUMENT REVISION		
Rev.	Date	DAF #
B1	10/21/10	94301

PROJECT NUMBER: 96-135, 96-154 AND 97-013

APPROVED DATE	30 APR 96
REV. LETTER AND DATE	<del>B</del> 0 327 96
ECN NUMBER	ECN 39181

**Fairchild** AEROSPACE FASTENER DIVISION  
 ENGINEERING CENTER  
 3000 WEST LOMITA BOULEVARD  
 TORRANCE, CA 90505

CAGE CODE **29372**  
 TRIDAIR PRODUCT

**CAPTIVE SCREW, EVA HEX HEAD**  
**A286 CRES, 160 KSI**

**CA22053**

SHEET 2 OF 2