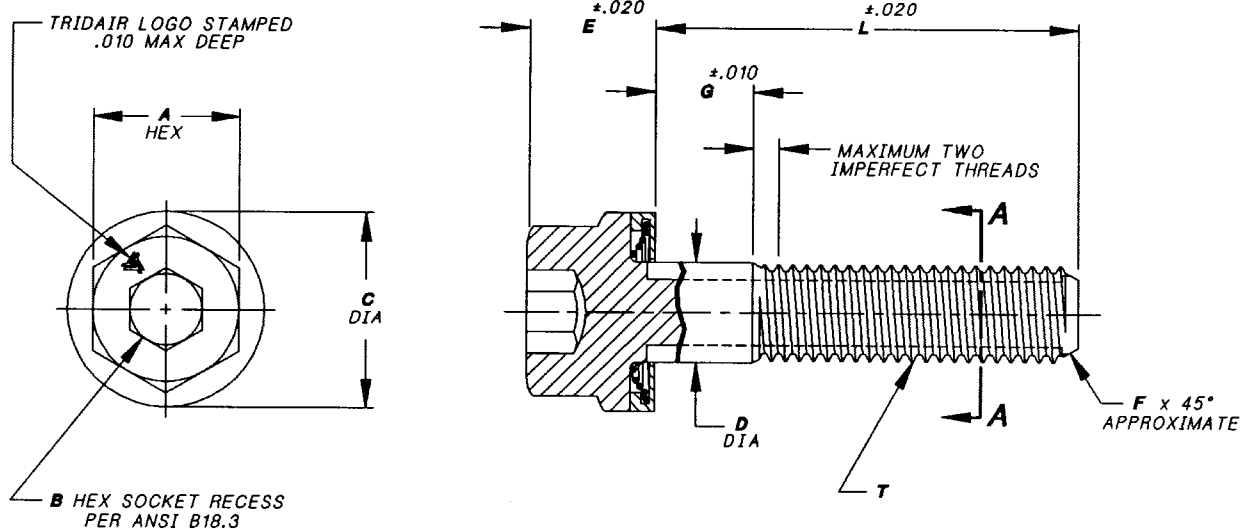
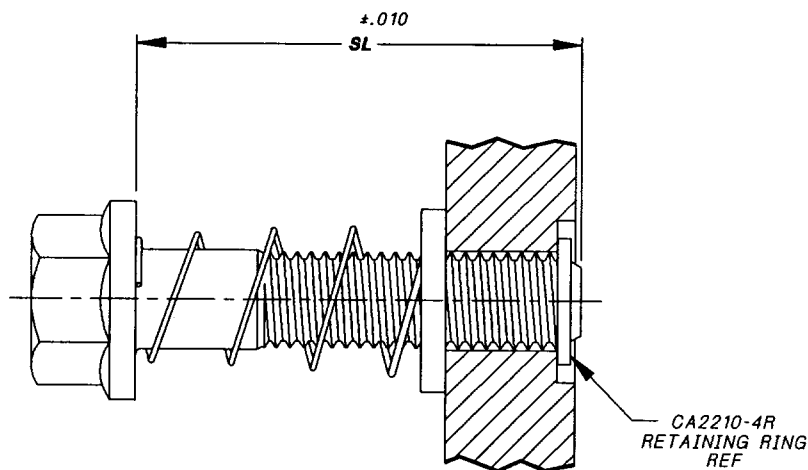


Voi-Shan • Tridair • Screwcorp



**FIGURE 1 - SCREW ASSEMBLY**



**FIGURE 2 - INSTALLED & RETRACTED**

**TABLE 1**

FIRST DASH NUMBER	T THREAD PER MIL-S-8879	A HEX	B HEX NOMINAL	C DIA	D DIA	E	F	TENSILE STRENGTH MIN LBS ACROSS A-A <9>	SHEAR STRENGTH MIN LBS ACROSS A-A <9>
-4	.2500-28UNJF-3A	.375 .367	.188	.500	.2495 .2490	.310	.035	3,998	2,399

APPROVED DATE <i>Am</i> 9 OCT 95	<b>Fairchild</b> AEROSPACE FASTENER DIVISION ENGINEERING CENTER 3000 WEST LOMITA BOULEVARD TORRANCE, CA 90505	CAGE CODE <b>29372</b> TRIDAIR PRODUCT
REV. LETTER AND DATE - 9 OCT 95		CAPTIVE SCREW ASSEMBLY HEX HEAD, HEX RECESS SELF-RETRACTING, "CRIMPRING" TYPE 1/4-28 SIZE A286 CRES, 140 KSI
ECN NUMBER ECN 38705		<b>CA22041-()-()-()</b> SHEET 1 OF 2

