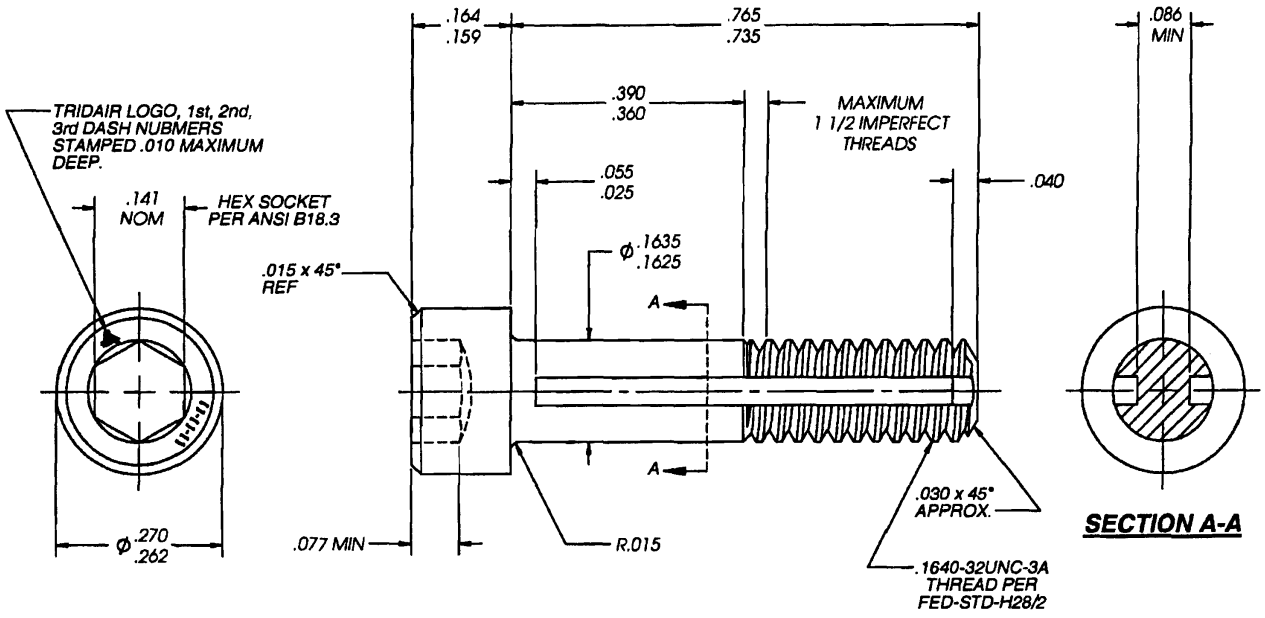


Camloc . Delron . Deutsch . Huck . K-Fast . Kaynar . Microdot . RAM . Rosan . Screwcorp . Tridair . Vol - Shan

MANUFACTURE OF THE PROPRIETARY PARTS SHOWN HERE WITHOUT WRITTEN CONSENT IS ABSOLUTELY PROHIBITED



NOTES: UNLESS OTHERWISE SPECIFIED:

1. MATERIAL: A286 CRES PER AMS5731, AMS5737, AND/OR AMS5732
 2. HEAT TREAT: 140,000 PSI MINIMUM.
 3. FINISH: PASSIVATED PER AMS-QQ-P-35 OR AMS2700
 4. SCREW TO BE USED WITH CA2240-08R RETAINING RING TO CAPTIVATE TO PANEL.
 5. PANEL PREPARATION: REFER TO CAL-STD-0259 DRAWING.
 6. INSTALLATION REFER TO ALCOA FASTENING SYSTEMS DRAWING NUMBER CA2240T(-).
 7. PART NUMBER CALLOUT EXAMPLE:
CA22021-08-12-12
- .750 LENGTH IN 1/16" INCREMENTS
 .375 GRIP IN 1/32" INCREMENTS
 .1640-32 SIZE
 BASIC PART NUMBER
9. MINIMUM ULTIMATE STRENGTH REF, CALCULATED ONLY, NO TESTING REQUIRED.
 - 9.1 TENSILE: 1,450 LBS.
 - 9.2 SINGLE SHEAR: 940 LBS.
 10. RECOMMENDED SEATING TORQUE: 20 TO 30 IN.LBS.
 11. DIMENSIONS ARE IN INCHES.

THIS DRAWING EMBODIES A CONFIDENTIAL, PROPRIETARY DESIGN & ALL DESIGN, MANUFACTURING PRODUCTION, USE & SALE RIGHTS REGARDING SAME ARE EXPRESSLY RESERVED.

| INTERIM DOCUMENT REVISION | | |
|---------------------------|-----------|--------|
| Rev. | Date | DAF# |
| E2 | 10/8/2018 | 117431 |

| INTERIM DOCUMENT REVISION | | |
|---------------------------|----------|-------|
| Rev. | Date | DAF # |
| E1 | 10/27/10 | 94301 |

ORIGINAL DESIGN ACTIVITY: CAGE CODE 29372

| | | | | |
|------------------|--|---|---|---|
| CA22021-08-12-12 | APPROVED DATE 30 APR 2008 | CURRENT DESIGN ACTIVITY: ARCONIC Arconic Fastening Systems | TITLE: SCREW SOCKET HEAD, CAPTIVE, CRES, .1640-32 SIZE | CURRENT DESIGN ACTIVITY: CAGE CODE: 29372 |
| | REV. LETTER AND DATE E 30 APR 2008 | TRIDAIR PRODUCTS 3018 W. LOMITA BLVD. TORRANCE, CA 90505 | UNLESS OTHERWISE SPECIFIED DIMENSIONS ARE IN INCHES & ASME Y14.5M TOLERANCES: | SALES DRAWING NO. |
| | DAF NUMBER 62737 | | | CA22021-08-12-12 |

ANGLES = ±3°
DECIMALS .XX = ±.02
XXX = ±.010