

Voi-Shan • Tridair • Screwcorp

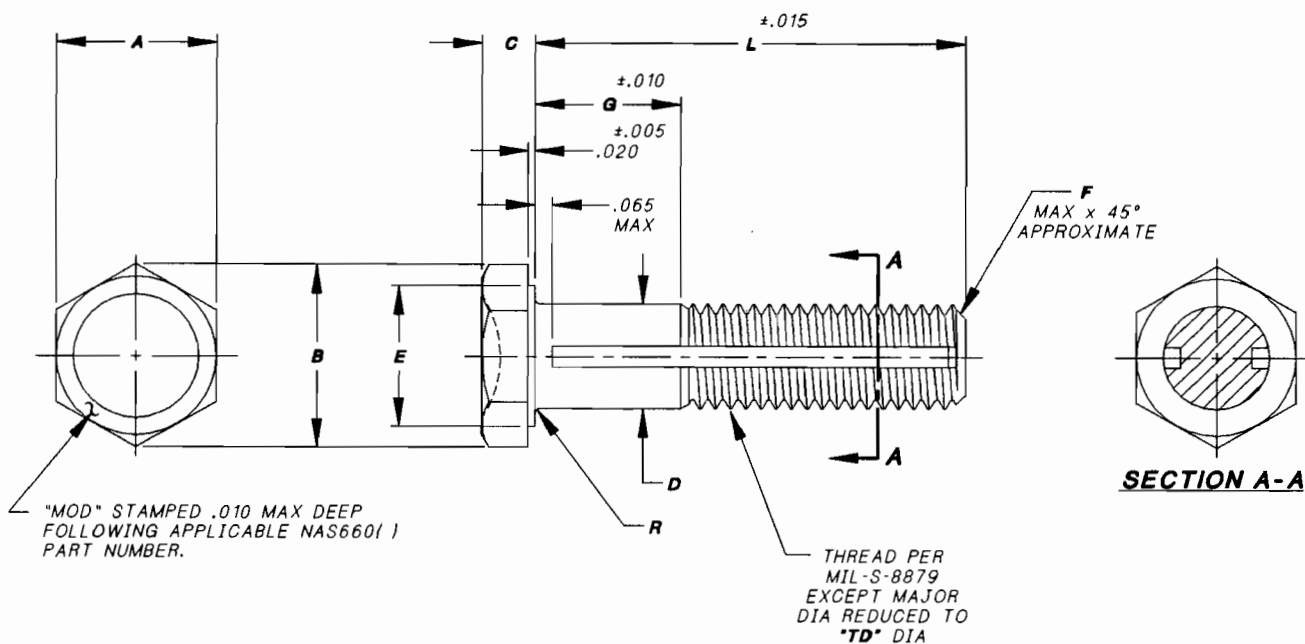


TABLE 1

FIRST DASH NUMBER	THREAD SIZE UNJF-3A	A HEX	B MIN	C	D DIA	E DIA MIN	F	TD DIA	R RAD	ULTIMATE TENSILE STRENGTH MIN (CALCULATED) <9>	ULTIMATE DOUBLE SHEAR STRENGTH MIN (CALCULATED) <9>	MODIFIED FROM
-10	.1900-32	.376 .367	.410	.125 .110	.1895 .1885	.335	.039	.184 .181	.020 .010	2,425 LBS	2,900 LBS	NAS6603
-4	.2500-28	.439 .429	.480	.140 .125	.2495 .2485	.398	.045	.244 .241	.020 .010	4,625 LBS	5,550 LBS	NAS6604
-5	.3125-24	.502 .492	.552	.171 .156	.3120 .3110	.460	.052	.306 .302	.020 .010	7,400 LBS	8,850 LBS	NAS6605
-6	.3750-24	.564 .554	.623	.203 .188	.3745 .3735	.523	.052	.368 .364	.025 .015	11,300 LBS	14,600 LBS	NAS6606

NOTES:

- MATERIAL: 8740 ALLOY STEEL PER MIL-S-6049 OR AMS6322 OR 4340 ALLOY STEEL PER MIL-S-5000.
- HEAT TREAT: 160 TO 180 KSI UTS PER MIL-H-6875.
- FINISH: CADMIUM PLATE PER QQ-P-416 TYPE II, CLASS 2.
- SCREW TO BE USED WITH CA2210-() IR RETAINING RING TO CAPTIVATE TO PANEL.
- PANEL PREPARATION: REFER TO CAL-STD-0260 DRAWING.
- INSTALLATION: REFER TO CA2210T-() DRAWING.
- PART NUMBER EXAMPLE:

CA22009-4-10
 ———— g = .625, L = 1.050
 ———— .2500-28 SIZE
 ———— BASIC PART NUMBER

INTERIM DOCUMENT REVISION		
Rev.	Date	DAF #
A1	10/24/10	94301

<9> NAS6603-6606 ARE MODIFIED BY ADDING LONGITUDINAL SLOTS AND "MOD" TO THE HEAD MARKING. ULTIMATE TENSILE AND DOUBLE SHEAR STRENGTHS ARE ADJUSTED USING REDUCED CROSS SECTIONAL AREAS RESULTING FROM THE SLOTTED MODIFICATION. SEE NAS6603-6606 SPECS FOR DATA NOT SHOWN HEREIN.

10. UNLESS OTHERWISE SPECIFIED; TOLERANCES: .XX ±.02, .XXX ±.010, ANGLES ±2°.

PROJECT NUMBER: 92-165

APPROVED DATE 30 NOV 93	Fairchild AEROSPACE FASTENER DIVISION ENGINEERING CENTER 3010 WEST LOMITA BOULEVARD TORRANCE, CA 90505	CAGE CODE 92215 TRIDAIR PRODUCT
REV. LETTER AND DATE A 11 JAN 94		SCREW, CAPTIVE, HEX HEAD, ALLOY STEEL, CAD PLATED
ECN NUMBER ECN 34759		

SCANNED

Voi-Shan • Tridair • Screwcorp

TABLE 2

SECOND DASH NUMBER	G GRIP ±.010	LENGTHS ±.015 L			
		BASIC NUMBER AND THREAD SIZE			
		CA22009-10 .1900-32	CA22009-4 .2500-28	CA22009-5 .3125-24	CA22009-6 .3750-24
-1	.062	.407	.487	.531	.640
-2	.125	.470	.550	.594	.703
-3	.188	.533	.613	.657	.766
-4	.250	.595	.675	.719	.828
-5	.312	.657	.737	.781	.890
-6	.375	.720	.800	.844	.953
-7	.438	.783	.863	.907	1.016
-8	.500	.845	.925	.969	1.078
-9	.562	.907	.987	1.031	1.140
-10	.625	.970	1.050	1.094	1.203
-11	.688	1.033	1.113	1.157	1.266
-12	.750	1.095	1.175	1.219	1.328
-13	.812	1.157	1.237	1.281	1.390
-14	.875	1.220	1.300	1.344	1.453
-15	.938	1.283	1.363	1.407	1.516
-16	1.000	1.345	1.425	1.469	1.578
-17	1.062	1.407	1.487	1.531	1.640
-18	1.125	1.470	1.550	1.594	1.703
-19	1.188	1.533	1.613	1.657	1.766
-20	1.250	1.595	1.675	1.719	1.828
-21	1.312	1.657	1.737	1.781	1.890
-22	1.375	1.720	1.800	1.844	1.953
-23	1.438	1.783	1.863	1.907	2.016
-24	1.500	1.845	1.925	1.969	2.078
-25	1.562	1.907	1.987	2.031	2.140
-26	1.625	1.970	2.050	2.094	2.203
-27	1.688	2.033	2.113	2.157	2.266
-28	1.750	2.095	2.175	2.219	2.328
-29	1.812	2.157	2.237	2.281	2.390
-30	1.875	2.220	2.300	2.344	2.453
-31	1.938	2.283	2.363	2.407	2.516
-32	2.000	2.345	2.425	2.469	2.578
-34	2.125	2.470	2.550	2.594	2.703
-36	2.250	2.595	2.675	2.719	2.828
-38	2.375	2.720	2.800	2.844	2.953
-40	2.500	2.845	2.925	2.969	3.078
-42	2.625	2.970	3.050	3.094	3.203
-44	2.750	3.095	3.175	3.219	3.328
-46	2.875	3.220	3.300	3.344	3.453
-48	3.000	3.345	3.425	3.469	3.578
-50	3.125	3.470	3.550	3.594	3.703
-52	3.250	3.595	3.675	3.719	3.828
-54	3.375	3.720	3.800	3.844	3.953
-56	3.500	3.845	3.925	3.969	4.078
-58	3.625	3.970	4.050	4.094	4.203
-60	3.750	4.095	4.175	4.219	4.328
-62	3.875	4.220	4.300	4.344	4.453
-64	4.000	4.345	4.425	4.469	4.578

INTERIM DOCUMENT REVISION	
Rev.	DAF #
A1	94301
Date	
10/21/10	

PROJECT NUMBER: 92-165

APPROVED DATE	30 NOV 93
REV. LETTER AND DATE	A 11 JAN 94
ECN NUMBER	ECN 34759

Fairchild AEROSPACE FASTENER DIVISION
ENGINEERING CENTER
 3010 WEST LOMITA BOULEVARD
 TORRANCE, CA 90505

**SCREW, CAPTIVE, HEX HEAD,
 ALLOY STEEL, CAD PLATED**

CAGE CODE	92215
TRIDAIR PRODUCT	
	CA22009-(-)-()
SHEET	2 OF 2