

Voi-Shan • Tridair • Screwcorp

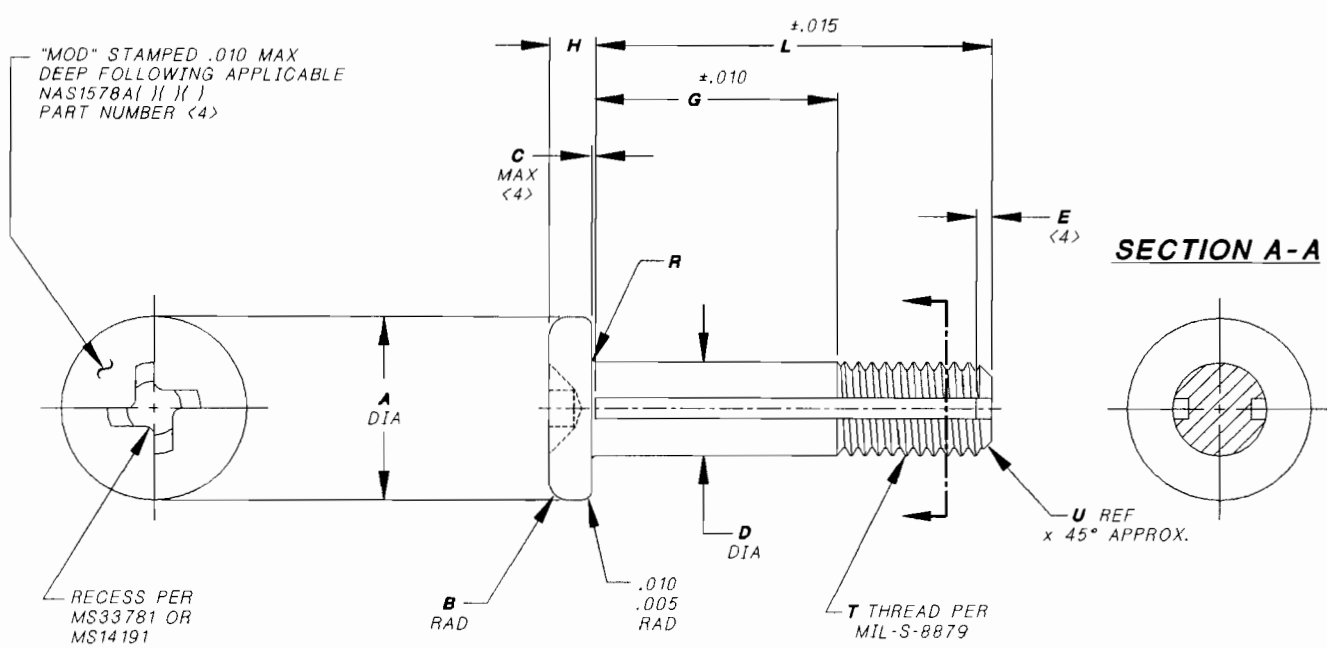
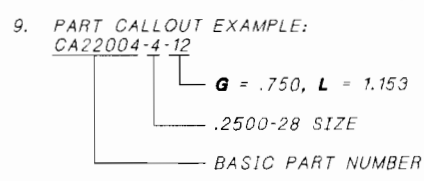


TABLE 1

FIRST DASH NUMBER	T THREAD UNJF-3A	A DIA	B RAD	C MAX	D DIA	E ±.010	H	R RAD	U REF	TENSILE STRENGTH LBS MIN (CALCULATED) <4>	RECOMMENDED SEATING TORQUE INCH-LBS <4>
-10	.1900-32	.374 .360	.035 .025	.050	.1895 .1885	.040	.125 .115	.020 .010	.050	2,425	37-57
-4	.2500-28	.492 .477	.040 .025	.050	.2495 .2485	.040	.150 .140	.020 .010	.050	4,625	92-140
-5	.3125-24	.612 .597	.050 .035	.065	.3120 .3110	.050	.188 .176	.025 .010	.060	7,400	185-285
-6	.3750-24	.740 .722	.050 .035	.065	.3745 .3735	.050	.220 .206	.025 .015	.060	11,300	330-500

NOTES:

- MATERIAL: ALLOY STEEL, 4140 PER MIL-S-5626, 4340 PER MIL-S-5000 OR 8740 PER MIL-S-6049.
- HEAT TREAT: 160,000-180,000 PSI TENSILE PER MIL-H-6875.
- FINISH: CADMIUM PLATE PER QQ-P-416 TYPE II, CLASS 2.
- <4> NAS1578A()() ARE MODIFIED BY ADDING LONGITUDINAL SLOTS AND "MOD" TO THE HEAD MARKING. ULTIMATE TENSILE STRENGTHS AND RECOMMENDED SEATING TORQUES ARE ADJUSTED USING REDUCED CROSS SECTIONAL AREAS RESULTING FROM THE SLOTTING MODIFICATION. SEE NAS1578 SPECIFICATION FOR DATA NOT SHOWN HEREIN.
- SCREWS ARE TO BE USED WITH CA2210-() R RETAINING RINGS TO CAPTIVATE TO PANEL.
- PANEL PREPARATION: REFER TO CAL-STD-0260 DRAWING.
- INSTALLATION: REFER TO CA2210T-() DRAWING.



INTERIM DOCUMENT REVISION		
Rev.	Date	DAF #
N/A1	10/21/10	94301

PROJECT NUMBER: 92-165

APPROVED DATE 15 NOV 93	Fairchild AEROSPACE FASTENER DIVISION ENGINEERING CENTER 3010 WEST LOMITA BOULEVARD TORRANCE, CA 90505	CAGE CODE 92215 TRIDAIR PRODUCT
REV. LETTER AND DATE 15 NOV 93		SCREW, CAPTIVE, MODIFIED NAS1578A()() (), #10-32, #1/4-28, #5/16-24 AND #3/8-24 SIZES
ECN NUMBER ECN 34550		

SCANNED

Voi-Shan • Tridair • Screwcorp

TABLE 2

SECOND DASH NUMBER	G ±.010	L ±.015			
		CA22004-10	CA22004-4	CA22004-5	CA22004-6
2	0.125	0.487	0.528		
3	0.187	0.549	0.590		
4	0.250	0.613	0.653	0.751	0.844
5	0.312	0.675	0.715	0.813	0.906
6	0.375	0.738	0.778	0.876	0.969
7	0.438	0.801	0.841	0.939	1.032
8	0.500	0.863	0.903	1.001	1.094
9	0.562	0.925	0.965	1.063	1.156
10	0.625	0.988	1.028	1.126	1.219
11	0.688	1.051	1.091	1.189	1.282
12	0.750	1.113	1.153	1.251	1.344
13	0.812	1.175	1.215	1.313	1.406
14	0.875	1.238	1.278	1.376	1.496
15	0.938	1.301	1.341	1.439	1.532
16	1.000	1.363	1.403	1.501	1.594
17	1.062	1.425	1.465	1.563	1.656
18	1.125	1.488	1.528	1.626	1.719
19	1.188	1.551	1.591	1.689	1.782
20	1.250	1.613	1.653	1.751	1.844
21	1.312	1.675	1.715	1.813	1.906
22	1.375	1.738	1.778	1.876	1.969
23	1.438	1.801	1.841	1.939	2.032
24	1.500	1.863	1.903	2.001	2.094
25	1.562	1.925	1.965	2.063	2.156
26	1.625	1.988	2.028	2.126	2.219
27	1.688	2.051	2.091	1.189	2.282
28	1.750	2.113	2.153	2.251	2.344

INTERIM DOCUMENT REVISION		
Rev.	Date	DAF #
N/A1	10/21/10	94301

S43496 PROJECT NUMBER: 92-165

APPROVED DATE	15 NOV 93
REV. LETTER AND DATE	15 NOV 93
ECN NUMBER	ECN 34550

Fairchild AEROSPACE FASTENER DIVISION
ENGINEERING CENTER
 3010 WEST LOMITA BOULEVARD
 TORRANCE, CA 90505

SCREW, CAPTIVE, MODIFIED
 NAS1578A() () , #10-32,
 #1/4-28, #5/16-24 AND #3/8-24 SIZES

CAGE CODE **92215**
 TRIDAIR PRODUCT

CA22004-()-()

SHEET 2 OF 2

SCANNED