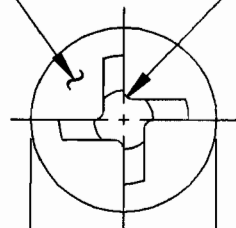


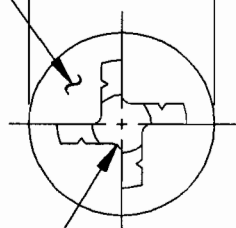
Voi-Shan • Tridair • Screwcorp

"MOD" STAMPED .010 MAX  
DEEP FOLLOWING APPLICABLE  
NAS1580C( )( )  
PART NUMBER <4>

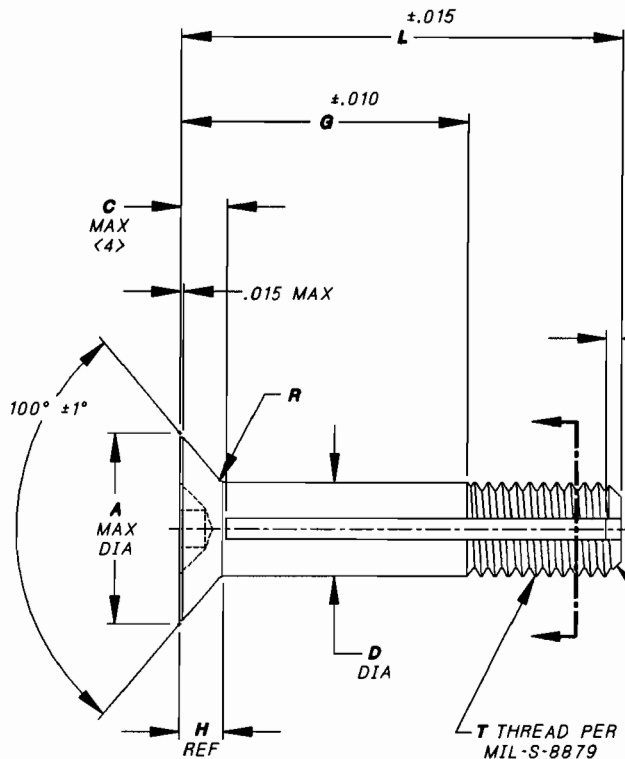
<9>  
RECESS PER  
MS33781



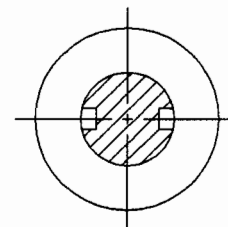
B  
DIA  
MIN



<9>  
RECESS PER MS14191  
(NOT AVAILABLE FOR  
-6 DIAMETER)



**SECTION A-A**



**TABLE 1**

FIRST DASH NUMBER	T THREAD UNJF-3A	A DIA MAX	B DIA MIN	C MAX <4>	D DIA	E ±.010	H REF	R RAD	U REF	TENSILE STRENGTH LBS MIN (CALCULATED) <4>	RECOMMENDED SEATING TORQUE INCH-LBS <4>
-10	.1900-32	.3813	.339	.115	.1895 .1890	.040	.083	.035 .015	.050	2,425	37-57
-4	.2500-28	.5066	.464	.145	.2495 .2490	.040	.111	.035 .015	.050	4,625	92-140
-5	.3125-24	.6335	.578	.235	.3120 .3115	.050	.140	.045 .025	.060	7,400	185-285
-6	.3750-24	.7604	.717	.235	.3745 .3740	.050	.167	.045 .025	.060	11,300	330-500

UNLESS OTHERWISE SPECIFIED:  
TOLERANCE:  
DECIMALS:  
.XX ±.02  
.XXX ±.010  
ANGLE: ±2°

INTERIM DOCUMENT REVISION		
Rev.	Date	DAF #
A1	10/21/10	94 301

CURRENT DESIGN ACTIVITY CAGE CODE 29372, FAIRCHILD FASTENERS, 3000 W. LOMITA BLVD., TORRANCE, CALIFORNIA 90505

PROJECT NUMBER: 98-034

APPROVED DATE	11 NOV 93
REV. LETTER AND DATE	A 03 OCT 97
DAF NUMBER	DAF 41073

**Fairchild**  
**AEROSPACE FASTENER DIVISION**  
**ENGINEERING CENTER**  
3000 WEST LOMITA BOULEVARD  
TORRANCE, CA 90505

CAGE CODE **92215**  
TRIDAIR PRODUCT

**SCREW, CAPTIVE, MODIFIED**  
**NAS1580C( )( ), #10-32,**  
**#1/4-28, #5/16-24 AND #3/8-24 SIZES**

**CA22003-()-()**

SHEET 1 OF 3

SCANNED

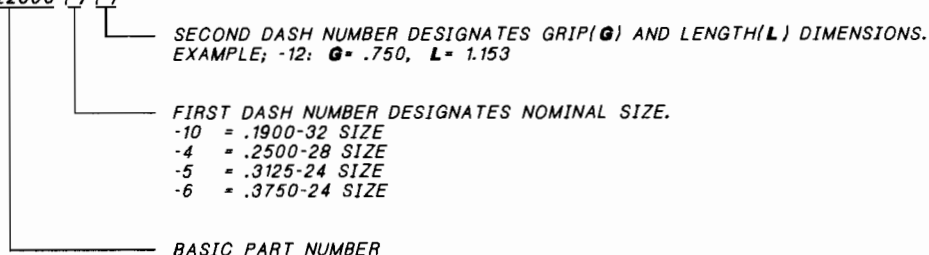
Voi-Shan • Tridair • Screwcorp

NOTES, UNLESS OTHERWISE SPECIFIED:

1. MATERIAL: A286 CRES PER AMS5731, AMS5732, OR AMS5737.
2. HEAT TREAT: 160,000-180,000 PSI TENSILE PER MIL-H-6875.
3. FINISH: PASSIVATED PER ASTM A967.
- <4> NAS1580C( )( ) ARE MODIFIED BY ADDING LONGITUDINAL SLOTS AND "MOD" TO THE HEAD MARKING. ULTIMATE TENSILE STRENGTHS AND RECOMMENDED SEATING TORQUES ARE ADJUSTED USING REDUCED CROSS SECTIONAL AREAS RESULTING FROM THE SLOTTING MODIFICATION. SEE NAS1580 SPECIFICATION FOR DATA NOT SHOWN HEREIN.
5. SCREWS ARE TO BE USED WITH CA2210-() JR RETAINING RINGS TO CAPTIVATE TO PANEL.
6. PANEL PREPARATION: REFER TO CAL-STD-0260 DRAWING.
7. INSTALLATION: REFER TO CA2210T-() DRAWING.

<9> PART CALLOUT EXAMPLES:

CA22003-()-()



NOTE: NO "CODE" AFTER SECOND DASH NUMBER DESIGNATES "OFFSET CRUCIFORM RECESS" PER MS14191 EXCEPT FOR -6 SIZE. -6 SIZE WILL HAVE "OFFSET CRUCIFORM RECESS" PER MS33781.

CA22003-()-() T

"T" CODE AFTER SECOND DASH NUMBER DESIGNATES "OFFSET CRUCIFORM RECESS" PER MS33781.

NOTE: NO CODE LETTER ("T") NECESSARY FOR -6 SIZE TO DESIGNATE MS33781 RECESS.

INTERIM DOCUMENT REVISION		
Rev.	Date	DAF #
A1	10/21/10	94301

UNLESS OTHERWISE SPECIFIED:

TOLERANCE:	
DECIMALS:	
.XX	±.02
.XXX	±.010
ANGLE:	±2°

CURRENT DESIGN ACTIVITY CAGE CODE 29372, FAIRCHILD FASTENERS, 3000 W. LOMITA BLVD., TORRANCE, CALIFORNIA 90505

PROJECT NUMBER: 98-034	APPROVED DATE	<b>Fairchild AEROSPACE FASTENER DIVISION</b> ENGINEERING CENTER 3000 WEST LOMITA BOULEVARD TORRANCE, CA 90505	CAGE CODE <b>92215</b>	
	11 NOV 93		TRIDAIR PRODUCT	
	REV. LETTER AND DATE	SCREW, CAPTIVE, MODIFIED NAS1580C( )( )( ), #10-32, #1/4-28, #5/16-24 AND #3/8-24 SIZES	<b>CA22003-()-()</b>	
	<del>A</del> 03 OCT 97			SHEET 2 OF 3
	DAF NUMBER			
<del>DAF 41073</del>				

Voi-Shan • Tridair • Screwcorp

**TABLE 2**

SECOND DASH NUMBER	G ±.010	L ±.015			
		CA22003-10	CA22003-4	CA22003-5	CA22003-6
2	0.125	0.487	0.528		
3	0.187	0.549	0.590		
4	0.250	0.613	0.653	0.751	0.844
5	0.312	0.675	0.715	0.813	0.906
6	0.375	0.738	0.778	0.876	0.969
7	0.438	0.801	0.841	0.939	1.032
8	0.500	0.863	0.903	1.001	1.094
9	0.562	0.925	0.965	1.063	1.156
10	0.625	0.988	1.028	1.126	1.219
11	0.688	1.051	1.091	1.189	1.282
12	0.750	1.113	1.153	1.251	1.344
13	0.812	1.175	1.215	1.313	1.406
14	0.875	1.238	1.278	1.376	1.496
15	0.938	1.301	1.341	1.439	1.532
16	1.000	1.363	1.403	1.501	1.594
17	1.062	1.425	1.465	1.563	1.656
18	1.125	1.488	1.528	1.626	1.719
19	1.188	1.551	1.591	1.689	1.782
20	1.250	1.613	1.653	1.751	1.844
21	1.312	1.675	1.715	1.813	1.906
22	1.375	1.738	1.778	1.876	1.969
23	1.438	1.801	1.841	1.939	2.032
24	1.500	1.863	1.903	2.001	2.094
25	1.562	1.925	1.965	2.063	2.156
26	1.625	1.988	2.028	2.126	2.219
27	1.688	2.051	2.091	1.189	2.282
28	1.750	2.113	2.153	2.251	2.344

INTERIM DOCUMENT REVISION		
Rev.	Date	DAF #
A1	10/21/10	94 361

UNLESS OTHERWISE SPECIFIED:  
 TOLERANCE:  
 DECIMALS:  
 .XX ±.02  
 .XXX ±.010  
 ANGLE: ±2°

CURRENT DESIGN ACTIVITY CAGE CODE 29372, FAIRCHILD FASTENERS, 3000 W. LOMITA BLVD., TORRANCE, CALIFORNIA 90505

S4393 PROJECT NUMBER: 98-034

APPROVED DATE	11 NOV 93
REV. LETTER AND DATE	<del>A</del> 09 OCT 97
DAF NUMBER	<del>DAF 41073</del>

**Fairchild** AEROSPACE FASTENER DIVISION  
 ENGINEERING CENTER  
 3000 WEST LOMITA BOULEVARD  
 TORRANCE, CA 90505

CAGE CODE **92215**  
 TRIDAIR PRODUCT

SCREW, CAPTIVE, MODIFIED  
 NAS1580C( ) ( ) , #10-32,  
 #1/4-28, #5/16-24 AND #3/8-24 SIZES

CA22003-()-()

SHEET 3 OF 3