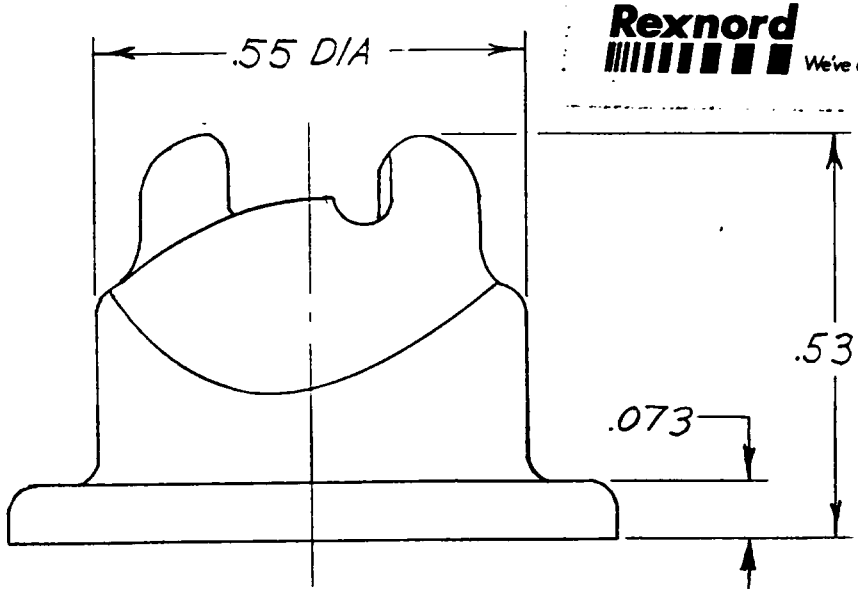
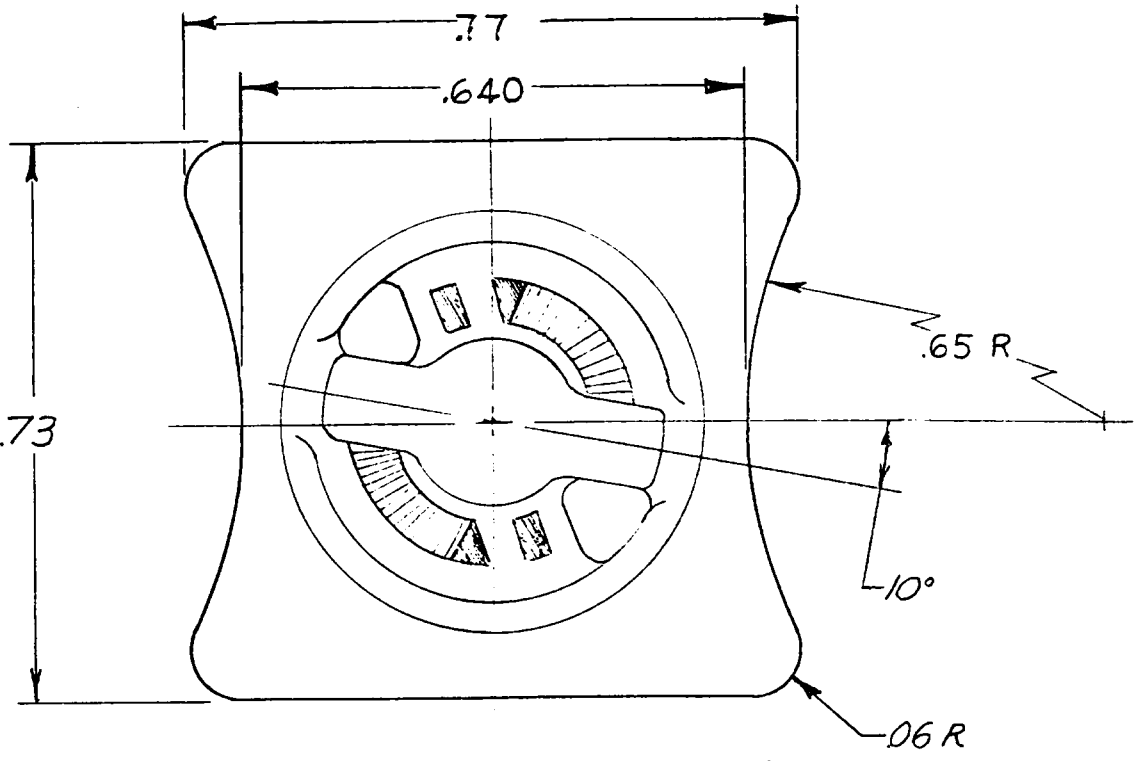
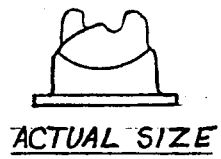


REV. 751  
DRAWING NO.

STOCK	REV.	CHANGE	BY	DATE



**Rexnord**  
We've changed our corporate name to Rexnord Inc.



NOTE: 1. FOR INSTALLATION DATA REFER TO CAMLOC CATALOG

THIS DOCUMENT IS PROTECTED BY COMMON LAW COPYRIGHT. IS RECEIVED IN CONFIDENCE AND SHALL NOT BE REPRODUCED, USED OR DISSEMINATED IN WHOLE OR IN PART WITHOUT WRITTEN PERMISSION OF CAMLOC FASTENER CORP.			CAMLOC FASTENER CORPORATION PARAMUS, NEW JERSEY		
FINISH CADMIUM PLATE QQ-P-416 TYPE II CLASS B	SCALE 4:1 & NOTED DR. ANDERSON	WEIGHT 0.165 LBS 8-17-54	TITLE INSERT-1.000" RECEPTACLE, FLOATING TYPE		
HEAT TREATMENT NONE	CHK. RASKA V3	8-30-54	MODEL OR SERIES 4002		
MATERIAL DOEHLER ALLOY DB-4	ENGR. APP. H.W.F.	12-28-54	DRAWING NO. 751		REV.
TOLERANCES UNLESS OTHERWISE SPECIFIED: 3 PLACE DEC. ± .010 ANG. ± 1° 2 PLACE ± .02	SALES APP. H.W.F.	12-29-54			